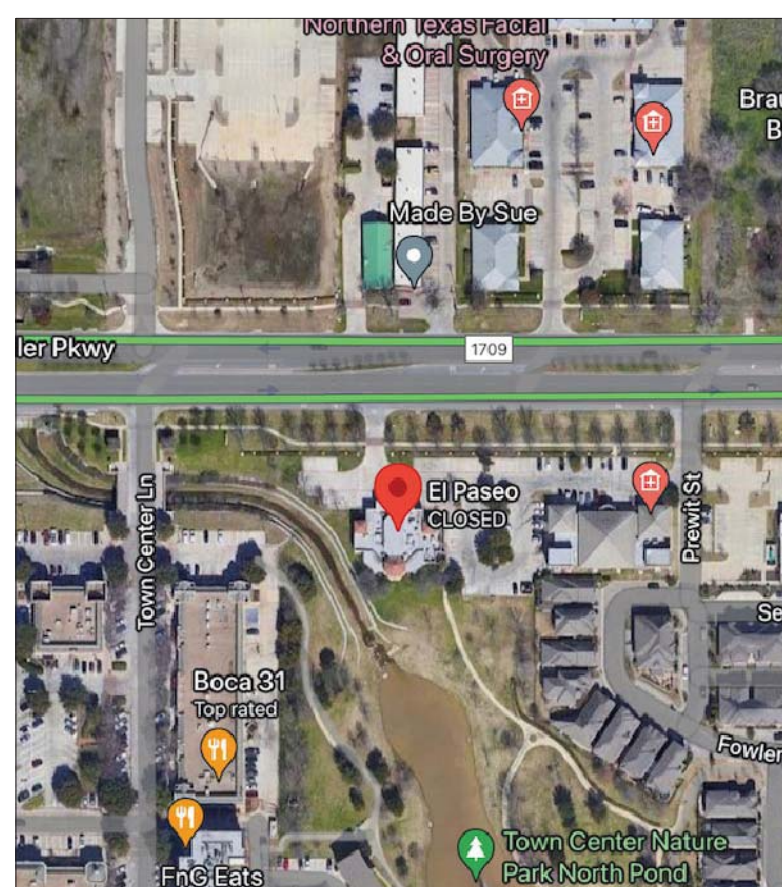


# DESI ADDA

1110 KELLER PKWY, KELLER, TX 76248



## VICINITY MAP



## CODE INFORMATION SUMMARY

**SQUARE FOOTAGES:**  
LEASE SPACE = 1100 SF

**JURISDICTIONS:**  
CITY OF KELLER BUILDING DEPARTMENT

**APPLICABLE INFORMATION:**

CODES - IBC 2021  
- IRC 2021  
- IMC 2021  
- NEC 2020  
- IECC 2021

REGULATIONS - TDLR - TEXAS ACCESSIBILITY STANDARDS  
CONSTRUCTION TYPE - II-B (FULLY-SPRINKLERED BUILDING)  
BUILDING OCCUPANCY TYPE - M (GROCERY)

**OCCUPANT LOAD CALCULATION**

- SALES AREA: 3762 SF (3762/60 = 63 O.C.C.)
- SEATING AREA: 640 SF (640/15 = 46 O.C.C.)
- OFFICE: 104 SF (104/150 = 1 O.C.C.)
- KITCHEN: 964 SF (964/200 = 5 O.C.C.)
- STORAGE: 686 SF (686/300 = 3 O.C.C.)
- RESTROOM & SERVICE & DEAL SPACE (WALL): 844 SF (0 O.C.C.)

TOTAL INDOOR OCCUPANT LOAD = 118 O.C.C.

NUMBER OF RESTROOM REQ'D = 2 (MORE THAN 100)  
NUMBER OF RESTROOM PROVIDED = 3

**BUILDING EGRESS -**  
MAX. TRAVEL DISTANCE = 65'-10"  
NUMBER OF EXITS REQ'D: 2  
NUMBER OF EXITS PROVIDED: 5  
EGRESS WIDTH REQ'D: 23.6"  
EGRESS WIDTH PROVIDED: 28" (336")

## GENERAL NOTES:

- THE GENERAL CONTRACTOR SHALL VERIFY ALL CONDITIONS AND DIMENSIONS ON THE JOB SITE AND REPORT ANY DISCREPANCIES AND/OR UNUSUAL CONDITIONS TO THE ARCHITECT PRIOR TO FINALIZING CONTRACT AND COMMENCEMENT OF CONSTRUCTION.
- CONTRACTOR SHALL PROVIDE PUBLIC PROTECTION AS NECESSARY AND REQUIRED BY THE LOCAL CITY REQUIREMENTS.
- WHILE THE DRAWINGS HAVE BEEN SEGMENTED INTO STANDARD DIVISIONS GENERALLY REFLECTING THE SCOPE OF WORK OF DIFFERENT TRADES, WORK REQUIRED OF ANY TRADE MAY BE SHOWN ANYWHERE IN THE DRAWINGS. CONTRACTOR IS THEREFORE CAUTIONED TO BASE CONTRACT ON THE ENTIRE INTEGRATED CONSTRUCTION DOCUMENTS. NO CLAIM FOR AN EXTRA WILL BE CONSIDERED FOR FAILURE TO DO SO.
- IN THE EVENT OF DISCREPANCIES BETWEEN VARIOUS DRAWINGS, REPORT CONDITIONS TO ARCHITECT IN TIMELY MANNER TO ALLOW REVIEW AND RESPONSE.
- UNLESS OTHERWISE INDICATED ON THESE DRAWINGS AS BEING N.I.C. OR EXISTING, ALL ITEMS, MATERIALS ETC. AND INSTALLATION OF SAME ARE A PART OF THE CONTRACT DEFINED BY THESE DRAWINGS.
- COLORS SHALL BE PROVIDED BY ARCHITECT, UNLESS OTHERWISE NOTED, UPON COMPLETION OF APPROVED COLOR SELECTION BOARD.
- UNLESS OTHERWISE NOTED, EXTERIOR AND INTERIOR EXPOSED METAL TRIM, TRELLISAGE, RAILINGS, MOLDINGS, FRAMES, CASTINGS, ETC. SHALL BE PAINTED.
- GENERAL CONTRACTOR TO KEEP SITE CLEAN AT ALL TIMES.
- GAPS BETWEEN DIFFERENT MATERIALS OR AT CORNERS SHALL BE THOROUGHLY SEALED.
- ROOF PENETRATIONS FOR NEW MECHANICAL EQUIPMENT SHALL CONFORM W/ EXISTING ROOFING MANUFACTURERS' WARRANTY DETAILS, SO AS TO MAINTAIN WARRANTY COVERAGE.

NO	AREA	FLOOR	BASE	WALLS	CEILING
101	ENTRY		STAIN CONCRETE SEALED		
102	RESTROOM		QUARRY TILE		
103	RESTROOM		CERAMIC		
104	SALES		EXPOSED CONCRETE		
105	OFFICE		WOOD		
106	DELI		NO BASE		
107	KITCHEN		CERAMIC GOVE		
108	STORAGE		CERAMIC TILE		
110	SPRINKLER		QUARRY COVED TILE		
111	CORRIDOR		FRP TO CEILING		
112	DRY STORAGE		CERAMIC TILE TO CEILING		
113	SEATING		5.5 SHEET METAL BEHIND VENTHOOD		
			CERAMIC TILE (MIN. 5' W/ 6" GYP. BD. FTD.		
			COOLER WALL- RE. MANUF.		
			FRP UNDER COUNTER		
			ACT (2'X2')- VINYL FACE		
			ACT (2'X4')- VINYL FACE		
			ACT (2'X4')- VINYL FACE		
			6" GYP. BD. CEILING W/ OIL BASED ENAMEL PAINT		
			COOLER CEILING- RE. MANUF.		
			OPEN TO STRUCTURE		

- ANY AND ALL PAINTED SURFACES MUST BE ABSOLUTELY, TOTALLY SMOOTH, WITH ABSOLUTELY NO SURFACE TEXTURING. THIS APPLIES TO ANY PAINTED GYPSUM BOARD CEILING IN THE RESTROOMS, AS WELL AS ANY PAINTED GYPSUM BOARD WALLS IN ANY FOOD HANDLING, FOOD STORAGE, OR WARE WASHING AREAS.
- PROVIDE CORIAN COUNTER TOP
- WALL & CEILING AT RESTROOMS, CORRIDOR, KITCHEN SHALL BE FRP OR CERAMIC TILE TO CEILING. BRIGHT COLOR IS REQUIRED- WHITE OR BEIGE SUBWAY CERAMIC TILE- ICE WHITE (S808L/C/P/E/O/B- LIGHT REFLECTIVE VALUE (LRV= 90)

## 03 ROOM SCHEDULE

N.T.S.

NO	DOOR SIZE	THK.	MATERIAL	FRAME
1A	(2) 3'-0" x 1'-0"	3/4"	STOREFRONT- PANIC HARDWARE REQ'D	ALUM.
1B	(2) 3'-0" x 1'-0"	3/4"	STOREFRONT- PANIC HARDWARE REQ'D	ALUM.
2	3'-0" x 1'-0"	3/4"	SOLID CORE WOOD DOOR, PRE-FINISHED	HM.
3	3'-0" x 1'-0"	3/4"	SOLID CORE WOOD DOOR, PRE-FINISHED	HM.
5	3'-0" x 1'-0"	3/4"	WOOD SLIDING DOOR	HM.
6A	3'-0" x 2'-0"	3/4"	SOLID CORE WOOD DOOR, PRE-FINISHED	HM.
6B	3'-0" x 2'-0"	3/4"	SOLID CORE WOOD DOOR, PRE-FINISHED	HM.
10	3'-0" x 1'-0"	3/4"	HOLLOW METAL DOOR	HM.
11	3'-0" x 1'-0"	3/4"	HOLLOW METAL DOOR- PANIC HARDWARE REQ'D	HM.
12	3'-0" x 1'-0"	3/4"	WOOD SLIDING DOOR	HM.
13A	3'-0" x 1'-0"	3/4"	STOREFRONT- PANIC HARDWARE REQ'D	ALUM.
13B	3'-0" x 1'-0"	3/4"	STOREFRONT- PANIC HARDWARE REQ'D	ALUM.

## DOOR HARDWARE

- ALL HARDWARE TO BE SCHLAGE LEVER HANDLE HARDWARE WITH 626 FINISH. PROVIDE SILENCERS, HINGES AND LATCH SETS FOR EACH DOOR AS REQUIRED.
- PROVIDE CLOSURES (LGN469-OR APPROVED ALUM. EQUAL) ON TOILET DOORS
- IF NOT PRESENT (FOR REAR DOOR ONLY)- CONTRACTOR TO PROVIDE PANIC HARDWARE WITH ALARM. ALARM WILL SOUND WITH OPENING 1" ON REAR DOOR- WEATHER SEAL AND SECURITY VIEWER AT 60" A.F.F. AT EXISTING REAR DOOR.
- FRONT AND BACK DOOR: PROVIDE PANIC HARDWARE WHEN OCCUPANT LOAD IS MORE THAN 50.

## 02 DOOR SCHEDULE

N.T.S.

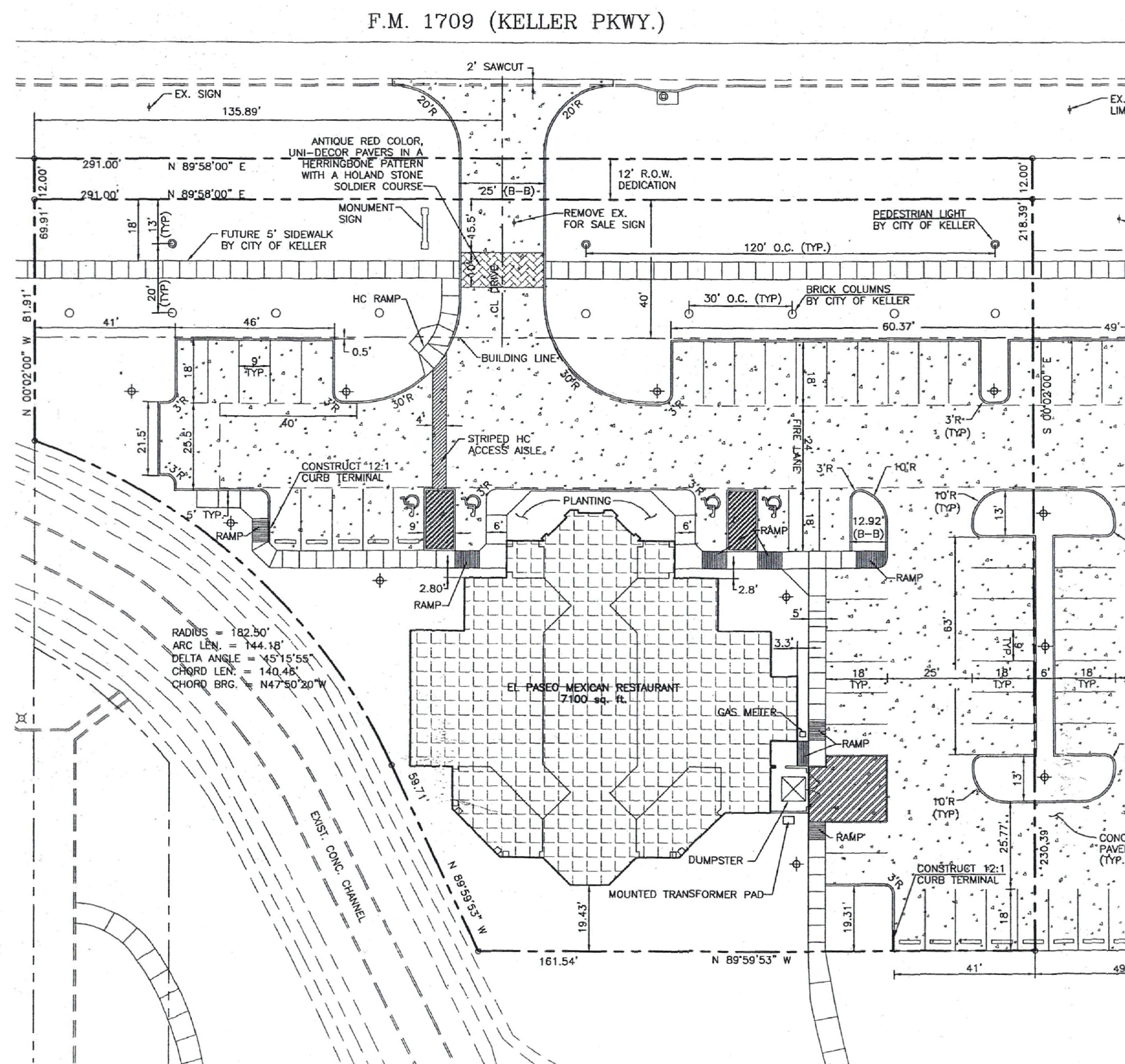
## PARKING ANALYSIS

SUITE #	BUSINESS	USE	SF.	RATIO	PARKING REQ'D
--	DESI ADDA	SUPERMARKET	6410	3.8 PARKING/ 1000 SF	25
		SEATING	640	1:150	5
TOTAL					30

## PARKING ANALYSIS

TOTAL PARKING STALL REQ'D: 30  
TOTAL PARKING STALL PROVIDED: 44  
HANDICAPPED STALL REQ'D: 3 (INCLUDING 1 VAN ACCESSIBLE)  
HANDICAPPED STALL PROVIDED: 6 (INCLUDING 2 VAN ACCESSIBLE)

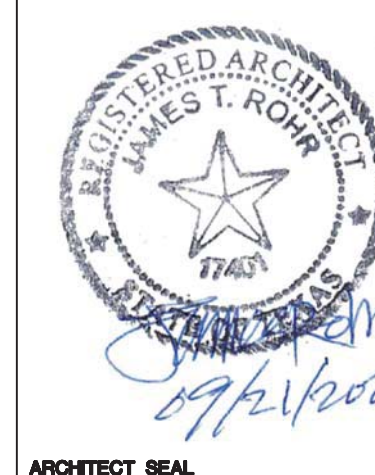
## 01 SITE PLAN



MA International  
2601 Perth Street  
Dallas, TX 75220

F-3485

ENGINEER



ARCHITECT SEAL

ENGINEER SEAL

#	DATE	SUBMISSION
--	01/19/22	CONSTRUCTION DOCUMENT
△	01/21/22	APPENDIX #1

DESI ADDA  
1110 KELLER PKWY  
KELLER, TX  
76248

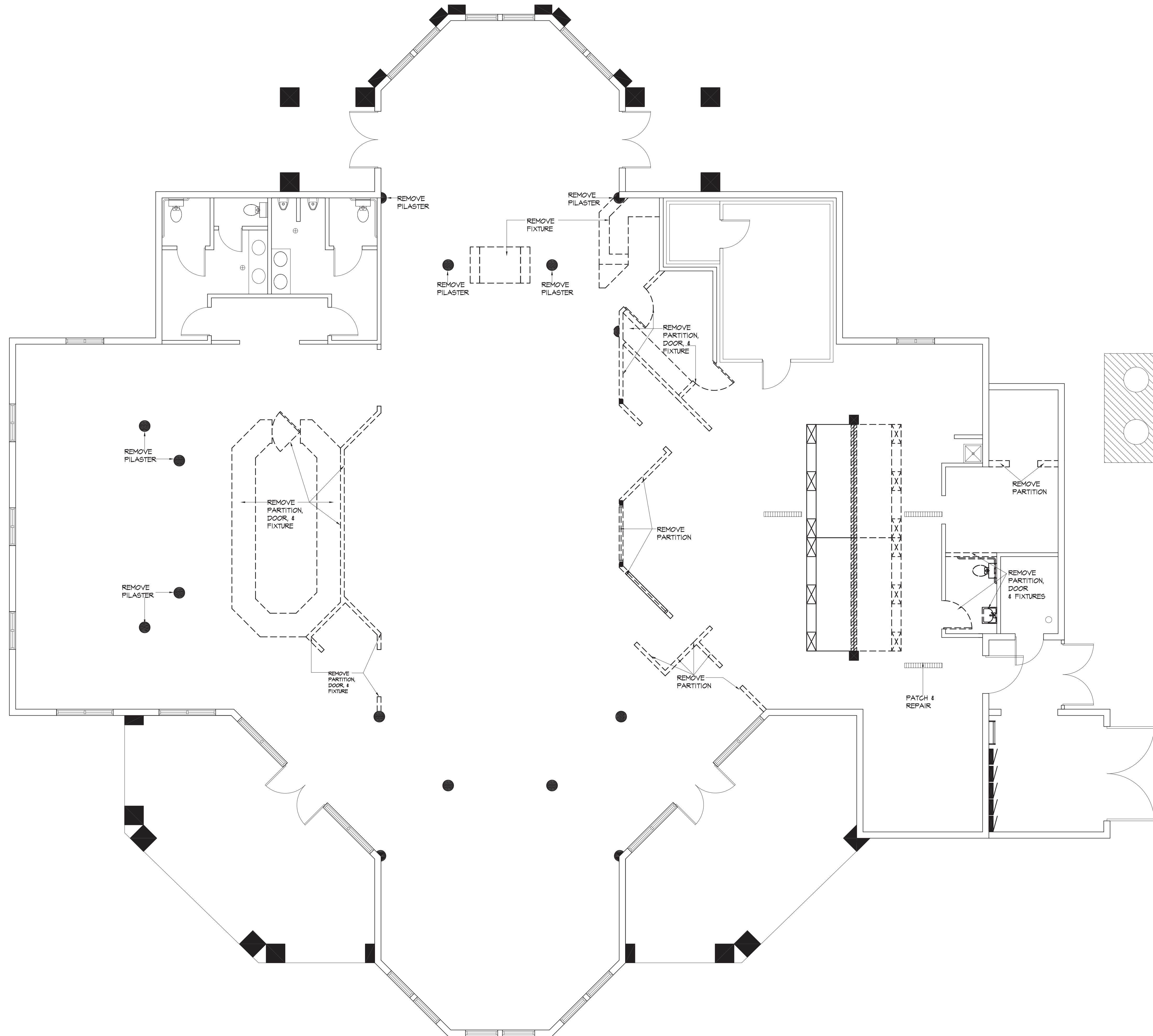
SITE PLAN/  
SCHEDULES



N.T.S.

A1.01

22207-02  
JOB NO. SHEET



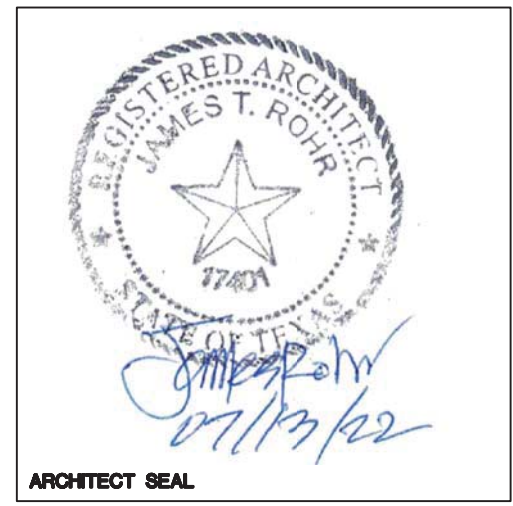
EXISTING PARTITION & DOOR & EQUIPMENT TO REMAIN  
 EXISTING PARTITION & DOOR & EQUIPMENT TO BE REMOVED

**01 DEMOLITION PLAN**

3/16"=1'-0"



**MA International**  
 2601 Perth Street  
 Dallas, TX 75220  
**F-3485**  
ENGINEER



ENGINEER SEAL

#	DATE	SUBMISSION
--	01.19.22	CONSTRUCTION DOCUMENT
△	--	--

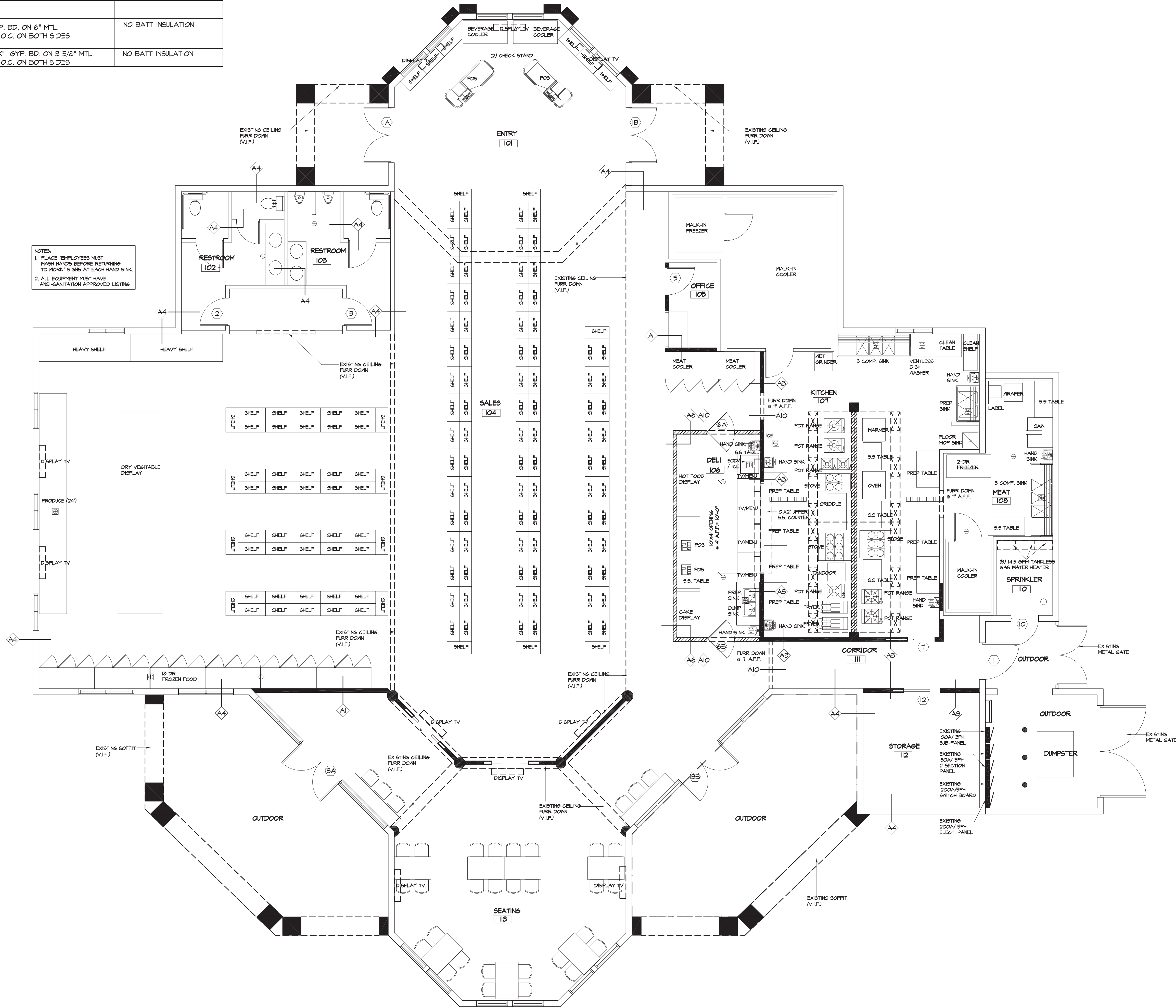
**DESI ADDA**  
 1110 KELLER PKWY  
 KELLER, TX  
 76248

**DEMOLITION**

22207-02 **A2.01**  
JOB NO. SHEET

TYPE	PARTITION	GA.	HGT	GYP. BD. TYPE	INSULATION
A1		25	CEILING	5/8" TYPE "X" GYP. BD. ON 3 5/8" MTL. STUDS @24" O.C. ON BOTH SIDES	NO BATT INSULATION
A3		25	CEILING	5/8" NR. GYP. BD. ON 3 5/8" MTL. STUDS @24" O.C. ON BOTH SIDES	NO BATT INSULATION
A4	EXISTING				
A6		25	3'-6" (V.I.F. W/ OWNER)	5/8" NR. GYP. BD. ON 6" MTL. STUDS @24" O.C. ON BOTH SIDES	NO BATT INSULATION
A10		25	FURR DOWN	5/8" TYPE "X" GYP. BD. ON 3 5/8" MTL. STUDS @24" O.C. ON BOTH SIDES	NO BATT INSULATION

NOTES:  
 1. PLACE "EMPLOYEES MUST WASH HANDS BEFORE RETURNING TO WORK" SIGNS AT EACH HAND SINK.  
 2. ALL EQUIPMENT MUST HAVE ANSI-SANITATION APPROVED LISTINGS

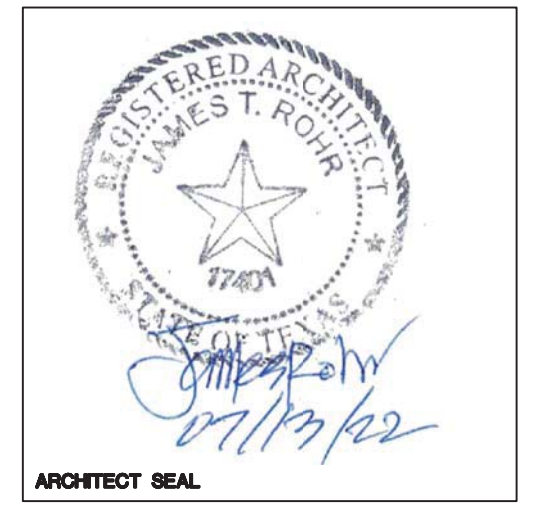


EXISTING PARTITION & DOOR & EQUIPMENT TO REMAIN  
 NEW PARTITION & DOOR & EQUIPMENT TO BE INSTALLED

01 FIXTURE PLAN



MA International  
 2601 Perth Street  
 Dallas, TX 75220  
**F-3485**  
 ENGINEER

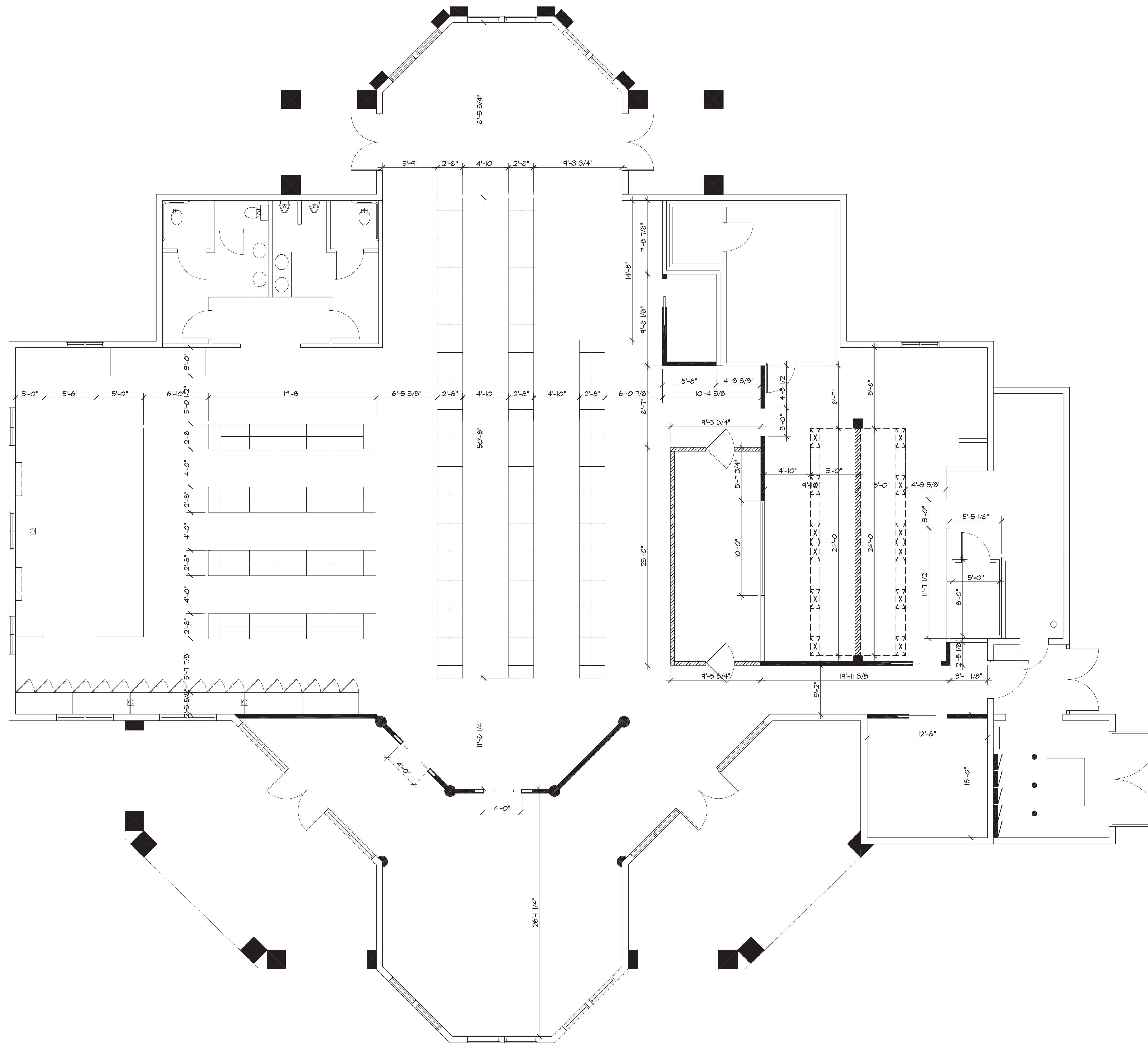


ENGINEER SEAL

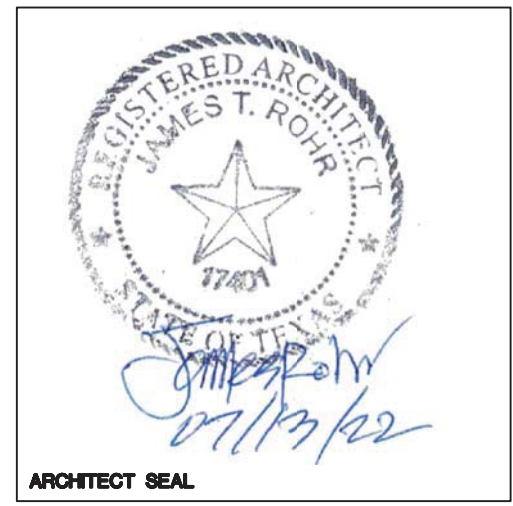
#	DATE	SUBMISSION
--	07.13.22	CONSTRUCTION DOCUMENT
△	--	--

DESI ADDA  
 1110 KELLER PKWY  
 KELLER, TX  
 76248

FIXTURE PLAN



MA International  
 2601 Perth Street  
 Dallas, TX 75220  
 F-3485  
 ENGINEER

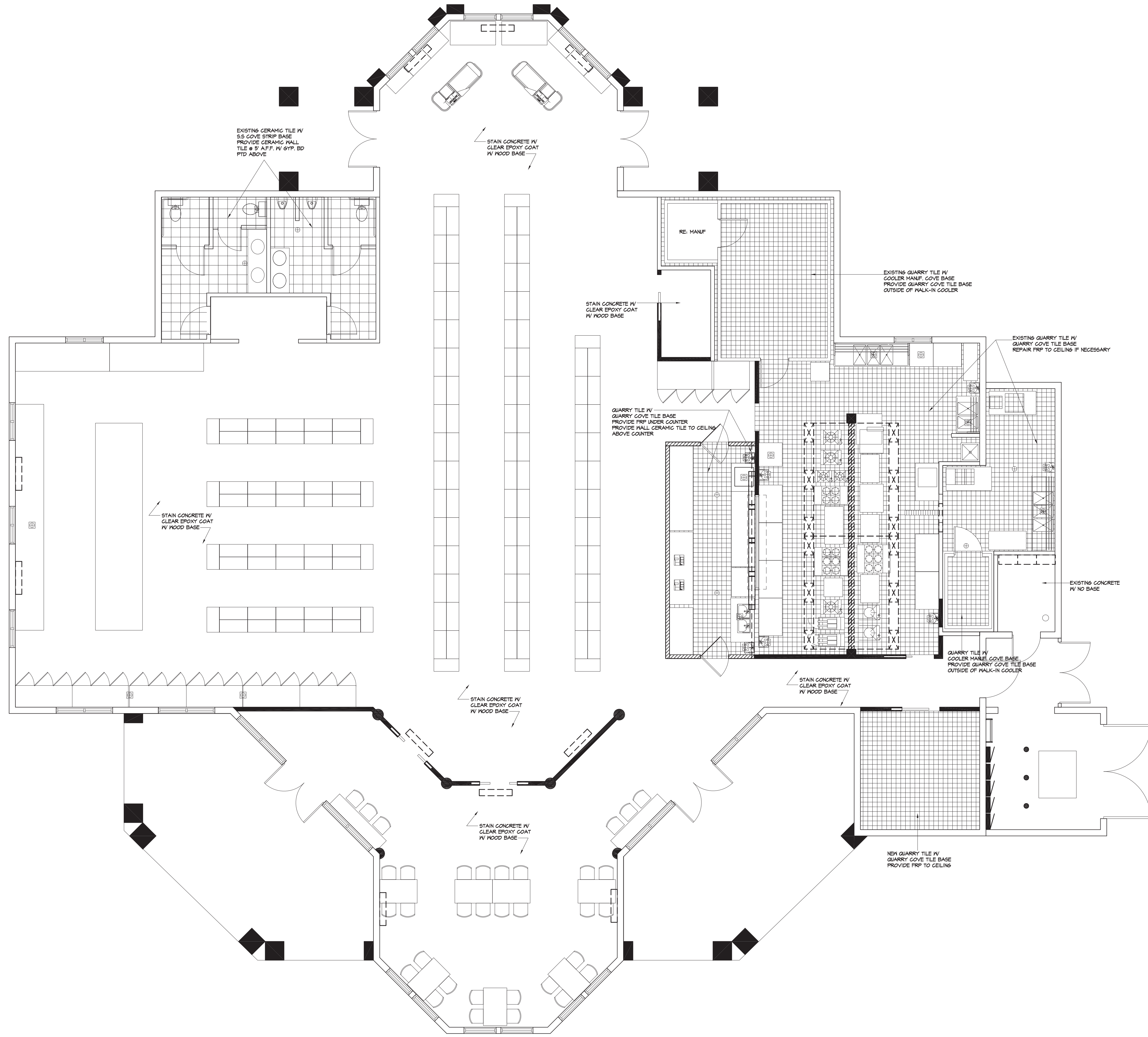


ARCHITECT SEAL  
 ENGINEER SEAL

#	DATE	SUBMISSION
--	01.19.22	CONSTRUCTION DOCUMENT
△	--	--

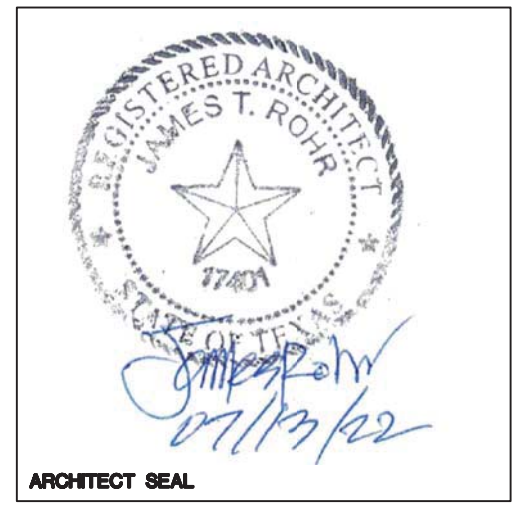
DESI ADDA  
 1110 KELLER PKWY  
 KELLER, TX  
 76248

DIMENSION  
 CONTROL PLAN

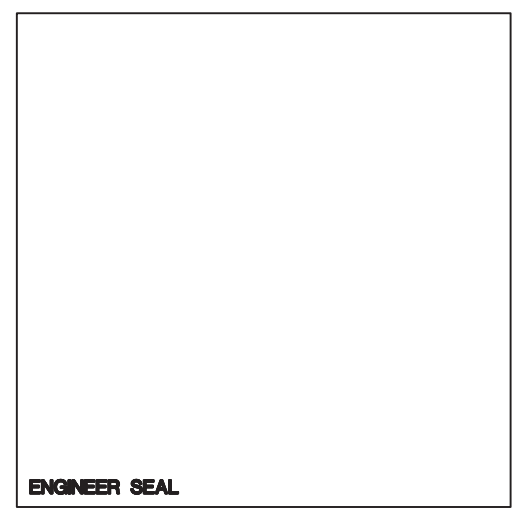


**MA International**  
 2601 Perth Street  
 Dallas, TX 75220  
**F-3485**

ENGINEER



ARCHITECT SEAL



ENGINEER SEAL

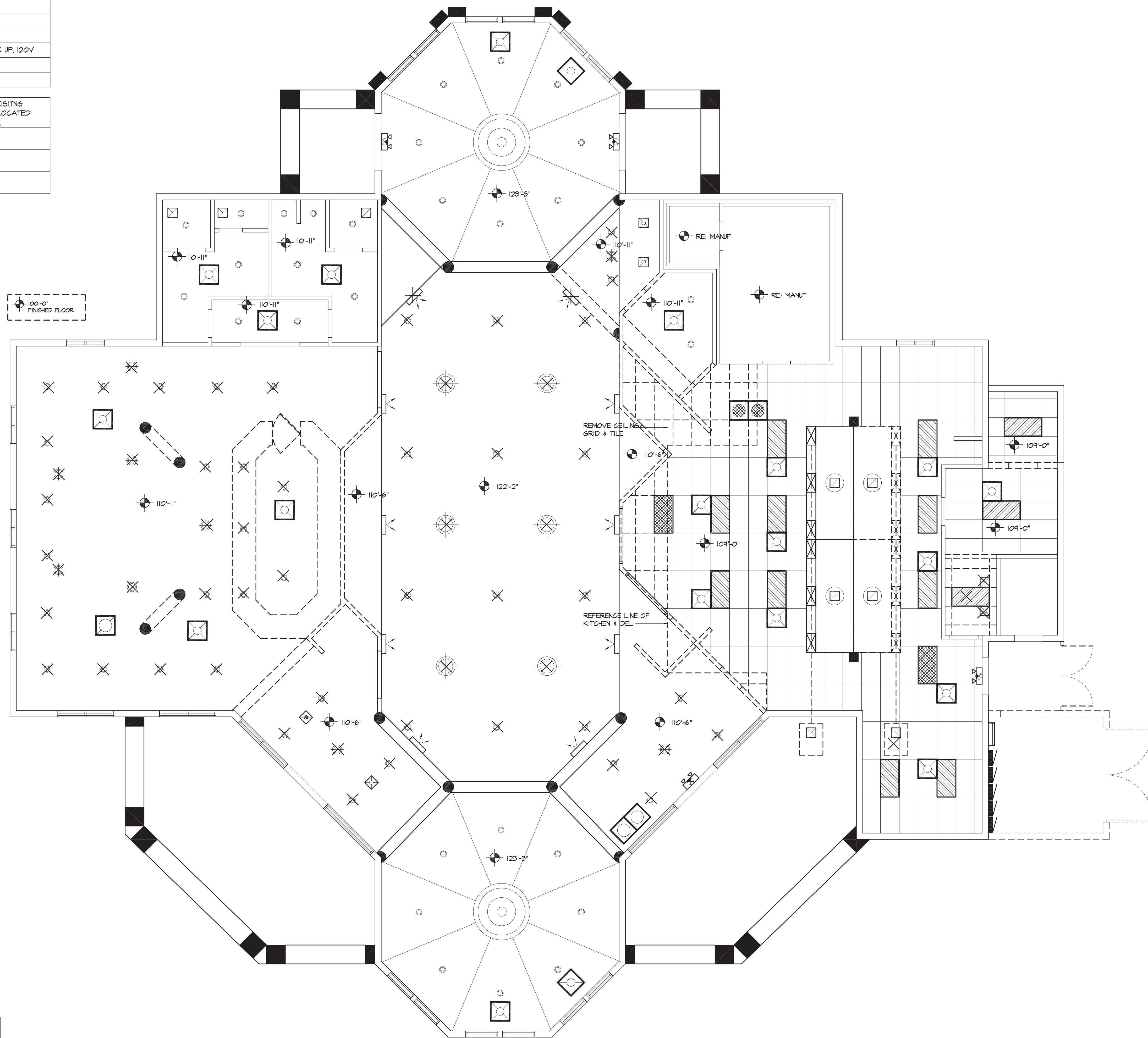
#	DATE	SUBMISSION
--	01.19.22	CONSTRUCTION DOCUMENT
△	--	--

**DESI ADDA**  
 1110 KELLER PKWY  
 KELLER, TX  
 76248

FLOOR FINISH

LEGEND		EX- EXISTING R- RELOCATED N- NEW
A	LED- 2'X4' FLAT (40W)	
B1	LED- 4' STRIP (2 BULB- 20W)	
B2	LED- 8' STRIP (2 BULB- 24W)	
C	LED- 6" RECESSED CAN LIGHT (1 BULB- 18W)	
D	EXIT LIGHT, 5 WATT LED & TWIN HEAD EMERGENCY LIGHT w/ BATTERY BACK UP, 120V	
E	TWIN HEAD EMERGENCY LIGHT w/ BATTERY BACK UP, 120V	
F	LED- SPOT LIGHT (EA. SPOT LIGHT- 12W)	

LEGEND- MECHANICAL		EX- EXISTING R- RELOCATED N- NEW
□	SUPPLY AIR GRILL	
□	RETURN AIR GRILL	
⊗	EXHAUST FAN	



—	EXISTING CEILING GRID AND TILE TO REMAIN
- - -	EXISTING CEILING GRID AND TILE TO BE REMOVED
X	REMOVE LIGHT FIXTURES & FANS

01 REFLECTED CEILING PLAN- DEMOLITION



MA International  
2601 Perth Street  
Dallas, TX 75220  
F-3485  
ENGINEER



ENGINEER SEAL

#	DATE	SUBMISSION
--	01.19.22	CONSTRUCTION DOCUMENT
△	--	--

DESI ADDA  
1110 KELLER PKWY  
KELLER, TX  
76248

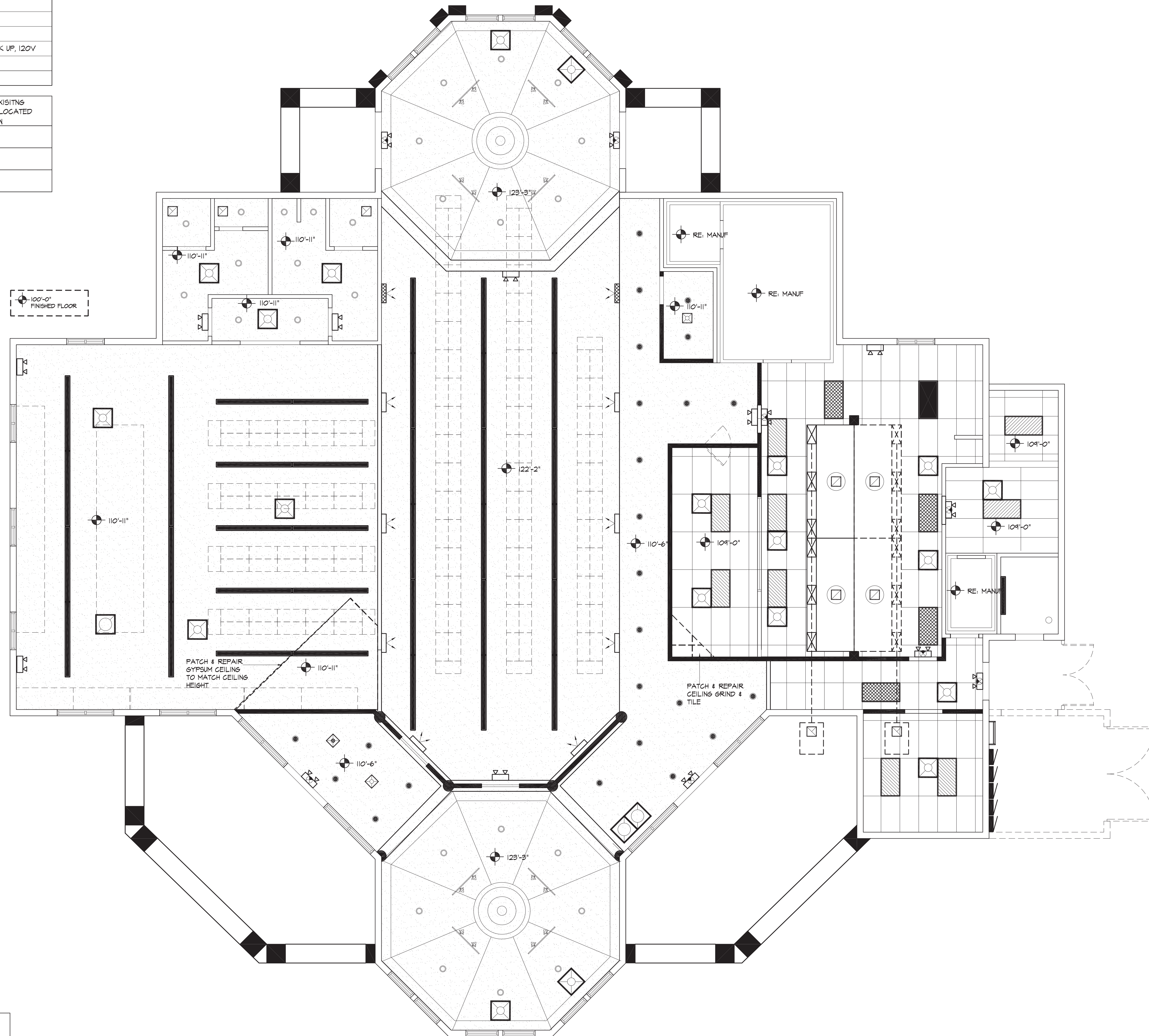
RCP- DEMO

22207-02 A5.01  
JOB NO. SHEET

3/16"=1'-0"

LEGEND	TYPE- CONDITION	EX- EXISTING R- RELOCATED N- NEW
A	LED- 2'X4' FLAT (40W)	
B1	LED- 4' STRIP (2 BULB- 20W)	
B2	LED- 8' STRIP (2 BULB- 24W)	
C	LED- 6" RECESSED CAN LIGHT (1 BULB- 18W)	
D	EXIT LIGHT, 5 WATT LED & TWIN HEAD EMERGENCY LIGHT W/ BATTERY BACK UP, 120V	
E	TWIN HEAD EMERGENCY LIGHT W/ BATTERY BACK UP, 120V	
F	LED- SPOT LIGHT (EA. SPOT LIGHT- 12W)	

LEGEND- MECHANICAL	EX- EXISTING R- RELOCATED N- NEW
	SUPPLY AIR GRILL
	RETURN AIR GRILL
	EXHAUST FAN



	EXISTING CEILING GRID AND TILE TO REMAIN
	NEW CEILING GRID AND TILE TO BE REMOVED

NOTES: PROVIDE VINYL FACED CEILING TILE AT ANY WET AREA AND FOOD PREPARATION AREA  
PROVIDE OIL BASED ENAMEL PAINT AT GYP. CEILING AT FOOD HANDLING AREA

01 REFLECTED CEILING PLAN



MA International  
2601 Perth Street  
Dallas, TX 75220  
F-3485  
ENGINEER



ENGINEER SEAL

#	DATE	SUBMISSION
--	07.13.22	CONSTRUCTION DOCUMENT
△	--	--

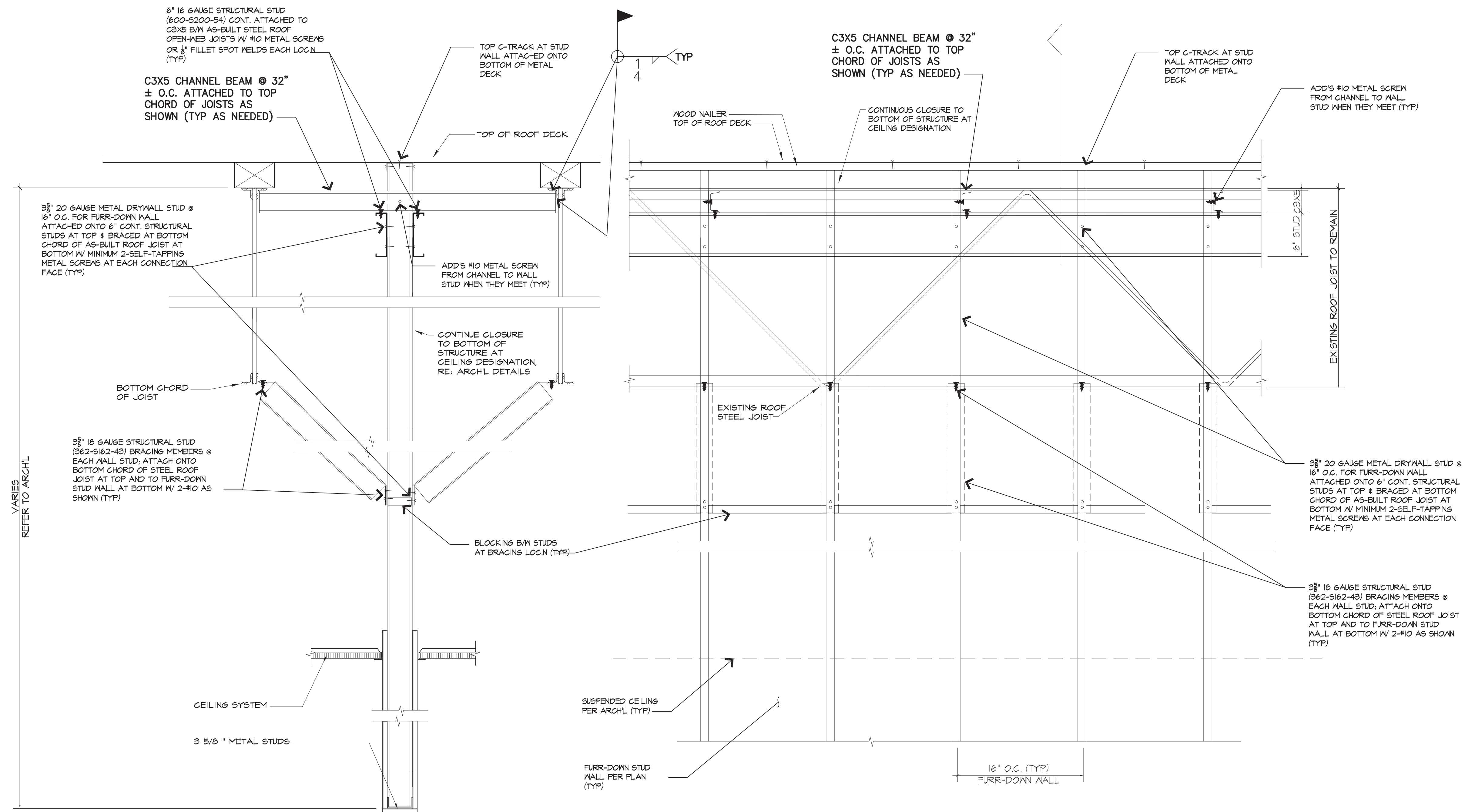
DESI ADDA  
1110 KELLER PKWY  
KELLER, TX  
76248

RCP

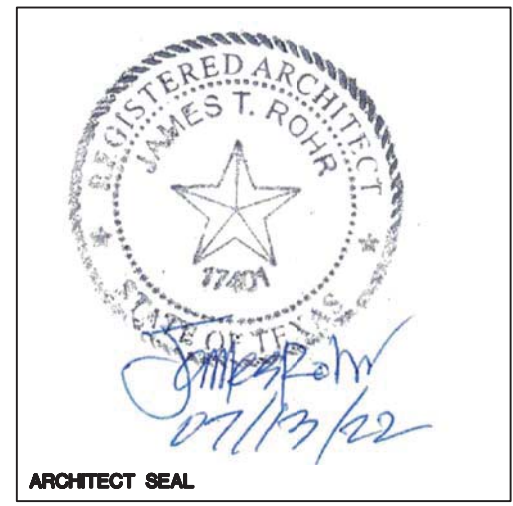
22207-02  
JOB NO. SHEET

3/16"=1'-0"

A5.02



**MA International**  
 2601 Perth Street  
 Dallas, TX 75220  
**F-3485**



ENGINEER SEAL

#	DATE	SUBMISSION
--	01/3/22	CONSTRUCTION DOCUMENT
△	--	--

**DESI ADDA**  
 1110 KELLER PKWY  
 KELLER, TX  
 76248

**CEILING  
 FURR DOWN  
 DETAIL**

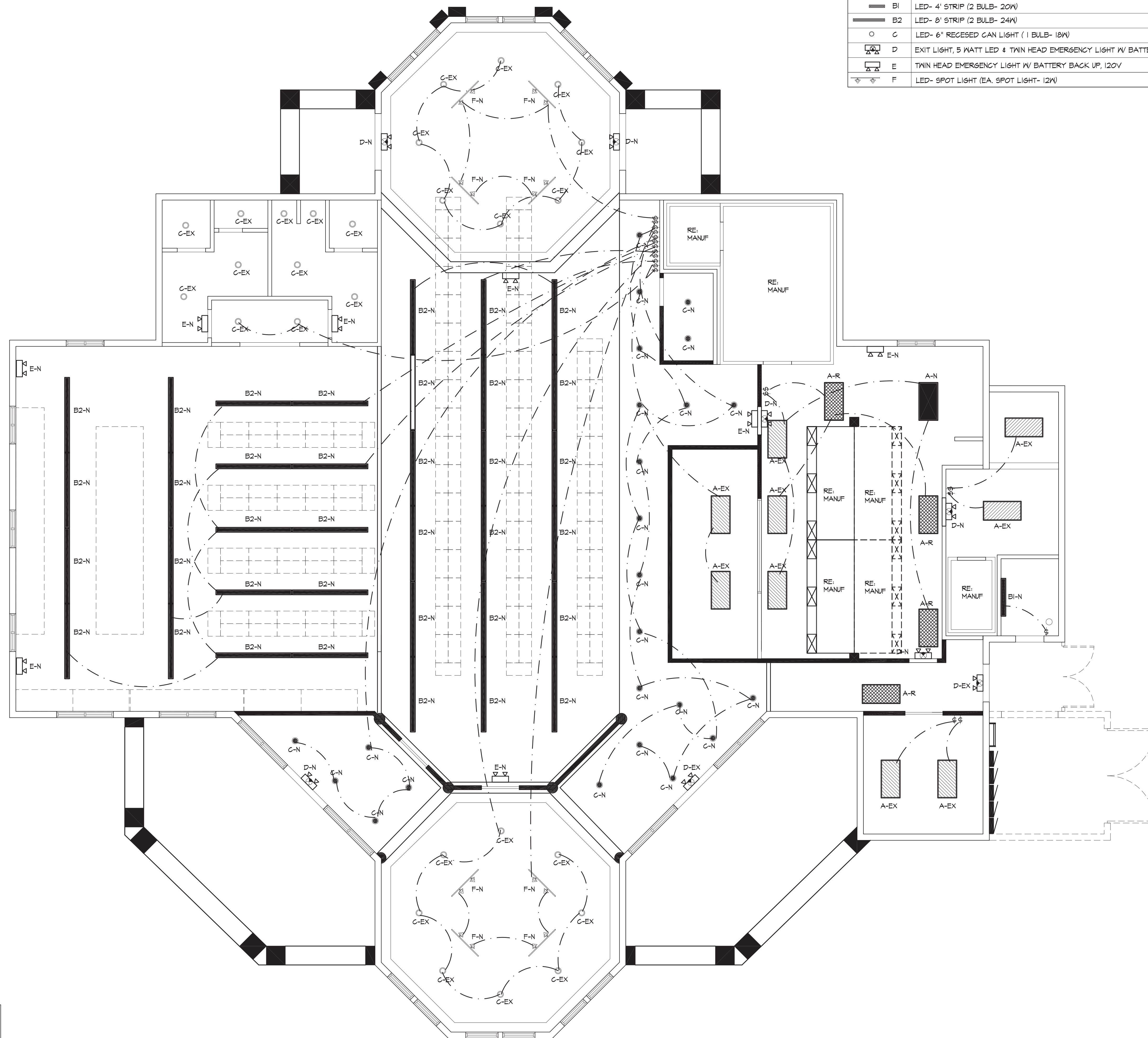


**ELECTRICAL NOTES**

1. ALL WORK SHALL BE IN ACCORDANCE WITH NATIONAL ELECTRICAL CODE ADOPTED BY THE CITY AND LOCAL CODE.
2. ALL ELECTRICAL WIRING, BUSSING SHALL BE COPPER, NO ALUMINUM CONDUCTORS WILL BE ALLOWED.
3. CONTRACTOR SHALL CONTACT LOCAL POWER AUTHORITIES AND ARRANGE FOR A ELECTRICAL SERVICE.
4. ELECTRICAL CONTRACTOR SHALL PAY ALL UTILITY COMPANY CHARGES, PERMIT FEES & INSPECTION FEES AND SECURE ALL NECESSARY BUILDING PERMITS & INSPECTIONS REQUIRED.
5. PROVIDE ALL POWER & CONTROL WIRES, CONDUITS & OUTLETS TO RENDER MECHANICAL & PLUMBING SYSTEMS COMPLETE & OPERATIVE.
6. ELECTRICAL CONTRACTOR SHALL PROVIDE ALL LIGHT FIXTURES WITH LAMPS & DIFFUSERS. PROVIDE SUPPORT WITH ACCESSORIES REQUIRED.
7. PROVIDE TELEPHONE SERVICE & INDIVIDUAL PHONE CONDUIT PER TELEPHONE COMPANY REQUIREMENTS AND ELECTRICAL DRAWINGS.

**LEGEND**

TYPE	CONDITION	EX- EXISTING R- RELOCATED N- NEW
A	LED- 2'X4' FLAT (40W)	
B1	LED- 4' STRIP (2 BULB- 20W)	
B2	LED- 8' STRIP (2 BULB- 24W)	
C	LED- 6" RECESSED CAN LIGHT (1 BULB- 18W)	
D	EXIT LIGHT, 5 WATT LED & TWIN HEAD EMERGENCY LIGHT W/ BATTERY BACK UP, 120V	
E	TWIN HEAD EMERGENCY LIGHT W/ BATTERY BACK UP, 120V	
F	LED- SPOT LIGHT (EA. SPOT LIGHT- 12W)	

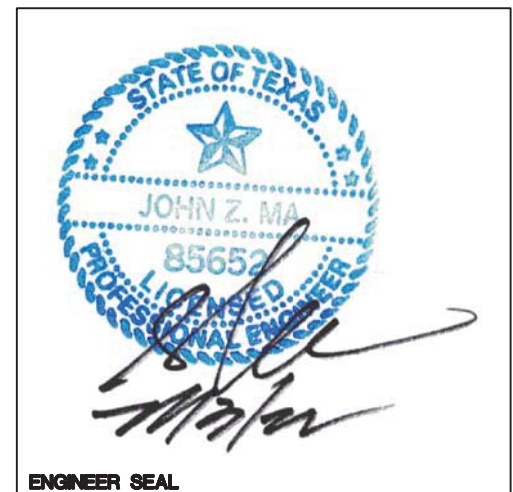


NOTES: FLEXIBLE CORDS FOR THE CONNECTION OF APPLIANCES SHOULD COMPLY WITH LOCAL CODES  
 PROVIDE BI-LEVEL SWITCHES AND TENDOM WIRING PER CODE.  
 RECESSED LIGHTING AND HANGING PENDANT LIGHTING OVER THE FRONT FOOD SERVICE AREA MUST BE ORDERED WITH FULL COVERAGE LENSES INTEGRAL TO EACH FIXTURE.

**MA International**  
 2601 Perth Street  
 Dallas, TX 75220  
**F-3485**

ENGINEER

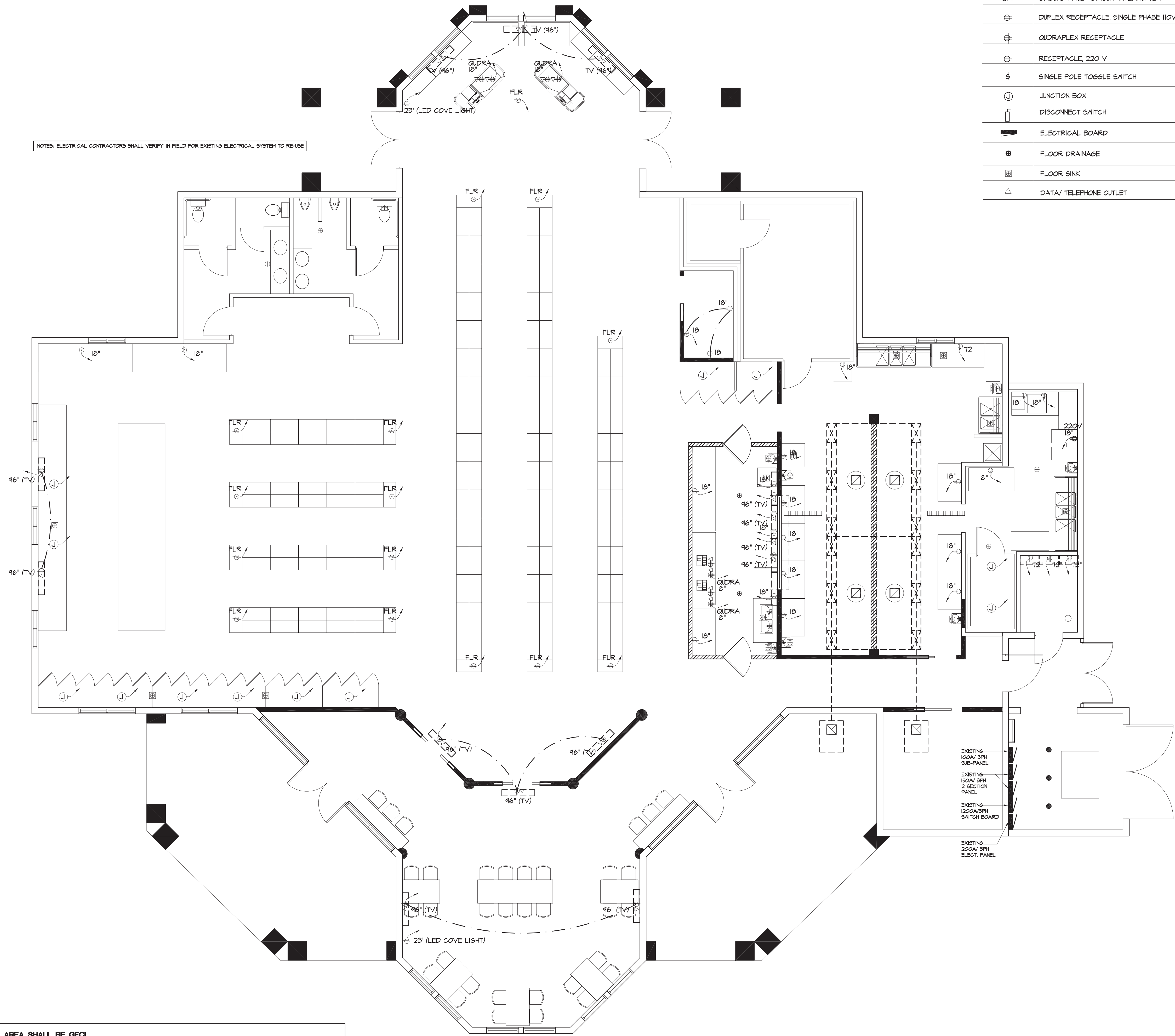
ARCHITECT SEAL



#	DATE	SUBMISSION
--	01/9/22	CONSTRUCTION DOCUMENT
△	--	--

**DESI ADDA**  
 1110 KELLER PKWY  
 KELLER, TX  
 76248

**LIGHTING**



NOTES: ELECTRICAL CONTRACTORS SHALL VERIFY IN FIELD FOR EXISTING ELECTRICAL SYSTEM TO RE-USE

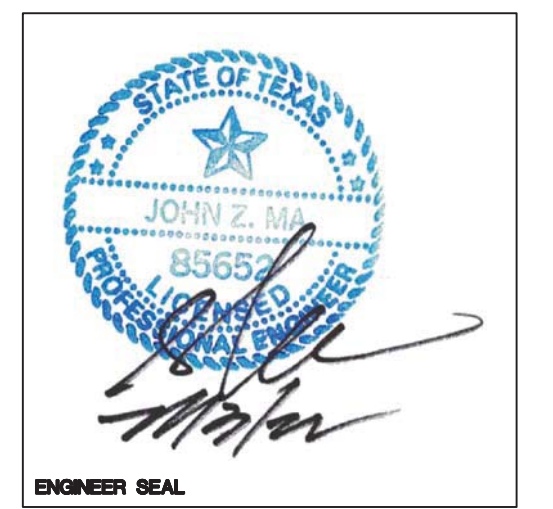
NOTES: ALL OUTLETS AT KITCHEN, RESTROOM AND ANY WET AREA SHALL BE GFCI  
 THERE MUST BE ABSOLUTELY NO EXPOSED ELECTRICAL CONDUIT ANYWHERE WITHIN THE ESTABLISHMENT.  
 ALL ELECTRICAL CONDUIT AND SERVICE MUST BE INSTALLED TO BE CONCEALED WITHIN THE FINISH WALLS,  
 AND PENETRATE ONLY AT THE POINT OF CONNECTION TO THE EQUIPMENT THAT IT SERVES.  
 ALL OF THE ABOVE CONDITIONS APPLY TO AND INCLUDE ALL POS LINES, FIRE ALARM, AND FIRE EXTINGUISHER CONDUIT INSTALLATION

LEGEND	
GFI	GROUND FAULT CIRCUIT INTERRUPTER
⊕	DUPLEX RECEPTACLE, SINGLE PHASE 110V
⊕	QUADRAPLEX RECEPTACLE
⊕	RECEPTACLE, 220 V
⚡	SINGLE POLE TOGGLE SWITCH
⊕	JUNCTION BOX
⊕	DISCONNECT SWITCH
■	ELECTRICAL BOARD
⊕	FLOOR DRAINAGE
⊕	FLOOR SINK
△	DATA/ TELEPHONE OUTLET



MA International  
 2601 Perth Street  
 Dallas, TX 75220  
**F-3485**  
 ENGINEER

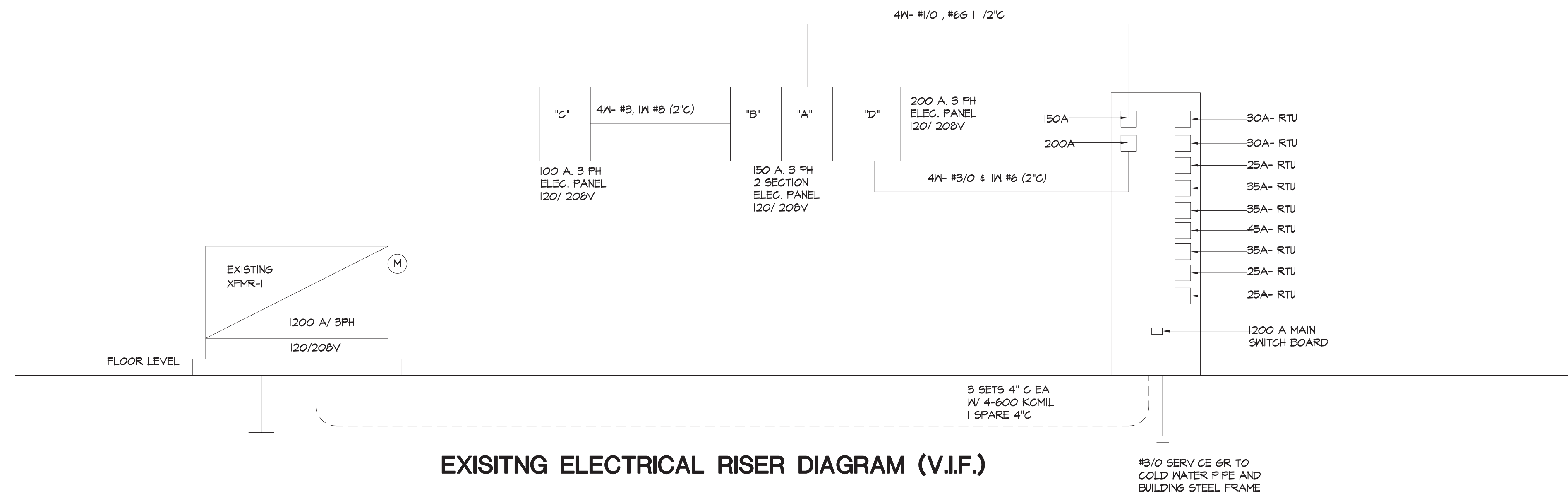
ARCHITECT SEAL



#	DATE	SUBMISSION
--	01.19.22	CONSTRUCTION DOCUMENT
△	--	--

DESI ADDA  
 1110 KELLER PKWY  
 KELLER, TX  
 76248

POWER



EXISTING ELECTRICAL RISER DIAGRAM (V.I.F.)

PANEL D											
120/208 VOLT, 3 PHASE, 4 WIRE BUS RATING 150A, AIC RATING 10,000											
<input type="checkbox"/> M.C.B. <input checked="" type="checkbox"/> M.L.O. <input type="checkbox"/> SURFACE MNT. <input checked="" type="checkbox"/> FLUSH MNT.											
CKT NO.	WIRE SIZE	SERVES	TRIP	PHASE A	PHASE B	PHASE C	TRIP	SERVES	WIRE SIZE	CKT NO.	
1	#12	RECEPTACLE	20	1000	1000		30/3	HEAT SAWN	#10	2	
3	#12	RECEPTACLE	20							4	
5	#12	EXT. SIGN	20							6	
7	#12	RECEPTACLE	20	1000	1000		30/3	FREEZER	#10	8	
4	#12	RECEPTACLE	20		1000	1000				10	
11	#12	RECEPTACLE	20			1000	1000			12	
13	#12	RECEPTACLE	20	1000	1000		20/2	PRODUCE COOLER	#12	14	
15	#12	RECEPTACLE	20		1000	1000				16	
17	#12	RECEPTACLE	20			1000	1000	20/2	FROZEN FOOD	18	
14	#12	RECEPTACLE	20	1000	1000					20	
21	#10	KEF-1	30/3		1000	1000	30/3	KSF-1	#10	22	
23	#12	RECEPTACLE	20	1000	1000					24	
25	#12	RECEPTACLE	20			1000	1000			26	
27	#10	KEF-2	30/3		1000	1000	20/2	WALK-IN COOLER- CONDENSER	#12	28	
24	#12	RECEPTACLE	20	1000	1000					30	
31	#12	WALK-IN FREEZER- CONDENSER	20/2		1000	1000	20/2	WALK-IN COOLER- FAN	#12	32	
33	#12	RECEPTACLE	20			1000	1000	20/2	WALK-IN COOLER- CONDENSER	34	
35	#12	WALK-IN FREEZER- FAN	20/2	1000	1000			20/2	WALK-IN COOLER- CONDENSER	36	
37	#12	RECEPTACLE	20		1000	1000	20/2	WALK-IN COOLER- FAN	#12	38	
34	#12	RECEPTACLE	20			1000	1000			40	
41	#12	RECEPTACLE	20			1000	1000			42	
				14000	14000	14000					
TOTAL CONNECTED LOAD= 42000 VA/ (1.73X208)= 117 A											

LOAD CLASS	LOAD TYPE	CONNECTED	MINIMUM REQUIRED (NEC)	D.F.	DEMAND
1	LIGHTING	--		1.25	--
2	RECEPTACLES	10000		NEC	10000
3	KITCHEN	32000		0.65	20800
4	OTHER	--		1	--
TOTAL VA		42000			30800
TOTAL CURRENT (A)		117			86

PANEL C- SPARE											
120/208 VOLT, 3 PHASE, 4 WIRE BUS RATING 100A, AIC RATING 10,000											
<input type="checkbox"/> M.C.B. <input checked="" type="checkbox"/> M.L.O. <input type="checkbox"/> SURFACE MNT. <input checked="" type="checkbox"/> FLUSH MNT.											
CKT NO.	WIRE SIZE	SERVES	TRIP	PHASE A	PHASE B	PHASE C	TRIP	SERVES	WIRE SIZE	CKT NO.	
1										2	
3										4	
5										6	
7										8	
4										10	
11										12	
13										14	
15										16	
17										18	
14										20	
21										22	
23										24	
25										26	
27										28	
24										30	
31										32	
33										34	
35										36	
37										38	
34										40	
41										42	

PANEL B- SECTION 2											
120/208 VOLT, 3 PHASE, 4 WIRE BUS RATING 150A, AIC RATING 10,000											
<input type="checkbox"/> M.C.B. <input checked="" type="checkbox"/> M.L.O. <input type="checkbox"/> SURFACE MNT. <input checked="" type="checkbox"/> FLUSH MNT.											
CKT NO.	WIRE SIZE	SERVES	TRIP	PHASE A	PHASE B	PHASE C	TRIP	SERVES	WIRE SIZE	CKT NO.	
1	#12	RECEPTACLE	20	500	500		20	RECEPTACLE	#12	2	
3	#12	RECEPTACLE	20							4	
5	#12	RECEPTACLE	20		500	500				6	
7	#12	RECEPTACLE	20	500	500					8	
4	#12	RECEPTACLE	20		500	500				10	
11	#12	RECEPTACLE	20			500	500			12	
13	#12	RECEPTACLE	20	500	500					14	
15	#12	RECEPTACLE	20		500	500				16	
17	#12	RECEPTACLE	20			500	500			18	
14	#12	RECEPTACLE	20	500	500					20	
21	#12	RECEPTACLE	20		500	500				22	
23	#12	RECEPTACLE	20			500	500			24	
25	#12	RECEPTACLE	20	500	500					26	
27	#12	RECEPTACLE	20		500	500				28	
24	#12	RECEPTACLE	20			500	500			30	
31	#12	RECEPTACLE	20	500	500					32	
33	#12	RECEPTACLE	20		500	500				34	
35	#12	RECEPTACLE	20			500	500			36	
37	#12	RECEPTACLE	20	500				100	PANEL C- SPARE	38	
34	#12	RECEPTACLE	20		500					40	
41	#12	RECEPTACLE	20			500				42	
				6500	6500	6500					

PANEL A- SECTION 1												
120/208 VOLT, 3 PHASE, 4 WIRE BUS RATING 150A, AIC RATING 10,000												
<input type="checkbox"/> M.C.B. <input checked="" type="checkbox"/> M.L.O. <input type="checkbox"/> SURFACE MNT. <input checked="" type="checkbox"/> FLUSH MNT.												
CKT NO.	WIRE SIZE	SERVES	TRIP	PHASE A	PHASE B	PHASE C	TRIP	SERVES	WIRE SIZE	CKT NO.		
1	#12	RECEPTACLE	20	500	500		20	RECEPTACLE	#12	2		
3	#12	RECEPTACLE	20							4		
5	#12	RECEPTACLE	20		500	500				6		
7	#12	RECEPTACLE	20	500	500					8		
4	#12	RECEPTACLE	20		500	500				10		
11	#12	RECEPTACLE	20			500	500			12		
13	#12	RECEPTACLE	20	500	500					14		
15	#12	RECEPTACLE	20		500	500				16		
17	#12	RECEPTACLE	20			500	500			18		
14	#12	RECEPTACLE	20	500	500					20		
21	#12	RECEPTACLE	20		500	500				22		
23	#12	RECEPTACLE	20			500	500			24		
25	#12	RECEPTACLE	20	500	500					26		
27	#12	RECEPTACLE	20		500	500				28		
24	#12	RECEPTACLE	20			500	500			30		
31	#12	RECEPTACLE	20	500	500					32		
33	#12	RECEPTACLE	20		500	500				34		
35	#12	RECEPTACLE	20			500	500			36		
37	#12	RECEPTACLE	20	500				20	LIGHT	38		
34	#12	RECEPTACLE	20		500			20	LIGHT	40		
41	#12	RECEPTACLE	20			500	500	20	EF	42		
				SECTION 1	7000	7000	7000					
				SECTION 2	6500	6500	6500					
TOTAL CONNECTED LOAD= 40500 VA/ (1.73X208)= 112 A												

LOAD CLASS	LOAD TYPE	CONNECTED	MINIMUM REQUIRED (NEC)	D.F.	DEMAND
1	LIGHTING	2000		1.25	2500
2	RECEPTACLES	30000		NEC	30000
3	KITCHEN	30800		0.65	19929
4	OTHER	--		1	--
TOTAL VA		40500			30825
TOTAL CURRENT (A)		112			84

NOTES: CONTRACTOR SHALL CONFIRM CIRCUIT BREAKER SIZE 4 PHASE OF ALL KITCHEN AND ROOF EQUIPMENT WITH MANUFACTURER'S SPECIFICATION PRIOR TO INSTALLATION

MA International  
2601 Perth Street  
Dallas, TX 75220  
F-3485

ARCHITECT SEAL

ENGINEER SEAL  
STATE OF TEXAS  
JOHN Z. M...  
8565

#	DATE	SUBMISSION
--	07/19/22	CONSTRUCTION DOCUMENT
△	--	--

DESI ADDA  
1110 KELLER PKWY  
KELLER, TX  
76248

ELECTRICAL  
DETAILS

**MECHANICAL NOTES**

- ALL MECHANICAL WORK SHALL CONFORM WITH MOST CURRENT EDITION OF THE MECHANICAL CODE AND LOCAL CODE.
- ALL DUCTWORK SHALL BE CONFORM TO S.M.A.C.N.A. STANDARDS.
- SUPPLY AND RETURN AIR DUCTWORK TO BE OF RIGID SHEET METAL CONSTRUCTION WRAPPED WITH 1/2" THICK FIBERGLASS INSULATION EXCEPT FINAL CONNECTION INSULATED FLEXIBLE DUCT.
- FINAL CONNECTIONS TO ALL GRILLS, REGISTERES AND DIFFUSERS TO BE A MAXIMUM 6" INSULATED CEILING PLAN AND LIGHTING PLAN.
- THE LOCATION OF ALL CEILING DIFFUSERS, GRILLS AND REGISTERES SHALL BE COORDINATED WITH THE REFLECTED CEILING PLAN AND LIGHTING PLAN.
- THERMOSTAT SHALL HAVE 5 DEG. F DEADBAND, SETBACK TO 55 DEG. F (HEAT) AND 65 DEG. F (COOL); 7-DAY CLOCK, 2 HOUR OCCUPANT OVERRIDE, 10-BACK UP.
- PROVIDE MINIMUM R-8 INSULATION FOR SUPPLY AND RETURN AIR DUCTS.
- ALL JOINTS, LONGITUDINAL AND TRANSVERSE SEAMS, AND CONNECTIONS IN DUCTWORK MUST BE SECURELY SEALED.
- MECHANICAL FASTENERS AND SEALS, MASTICS, OR GASKETS MUST BE USED WHEN CONNECTING DUCTS TO FANS AND OTHER AIR DISTRIBUTION EQUIPMENT.
- CONTRACTOR SHALL PROVIDE THE OWNER A COPY OF OPERATION AND MAINTENANCE MANUAL ON ALL MECHANICAL EQUIPMENT.
- EACH SUPPLY AIR DIFFUSER & RETURN GRILLS SHALL HAVE ADJUSTABLE DAMPER FOR ITS OWN AIR BALANCE. MECHANICAL CONTRACTOR SHALL PROVIDE AIR BALANCE REPORT FOR EACH A/C SYSTEM.
- PROVIDE SUPPORTS FOR EACH EXHAUST FAN WITH VIBRATION ISOLATORS TO STRUCTURE.
- PROVIDE SMOKE DETECTORS IN SUPPLY & RETURN BRANCH OF EACH ROOF TOP A/C UNIT.
- BALANCING DAMPERS TO BE INSTALLED IN ALL BRANCH TAKE OFFS. ALL DAMPERS TO HAVE LOCKING QUADRANTS.

**TYPICAL MAIN DUCT SIZE:**

TYPICAL MAIN DUCT SIZE VS. CFM @ 0.08/800 FOOT:	
6"	180 CFM
8"	275 CFM
10" OR (10" X 8")	360 CFM
12" OR (12" X 10")	575 CFM
14" OR (12" X 12")	900 CFM
16" OR (14" X 14")	1,300 CFM
18" OR (20" X 14")	1,800 CFM
20" OR (24" X 14")	2,300 CFM
24" OR (24" X 20")	3,900 CFM
(24" X 18")	3,000 CFM
(24" X 24")	5,000 CFM
(30" X 18")	4,000 CFM
36" OR (36" X 30")	10,000 CFM

**LEGEND**

	2X2 LAY IN SUPPLY DIFFUSER
	CEILING EXHAUST GRILLE
	RAGR RETURN GRILL
	THERMOSTAT
	SMOKE DETECTOR

EX- EXISTING  
R- RELOCATED  
N- NEW

**DIFFUSER/ REGISTER/ GRILL NOTES:**

1. PROVIDE FACE PANEL, FRAME AND BORDER COMPATIBLE WITH BASE MOUNTING SURFACE.

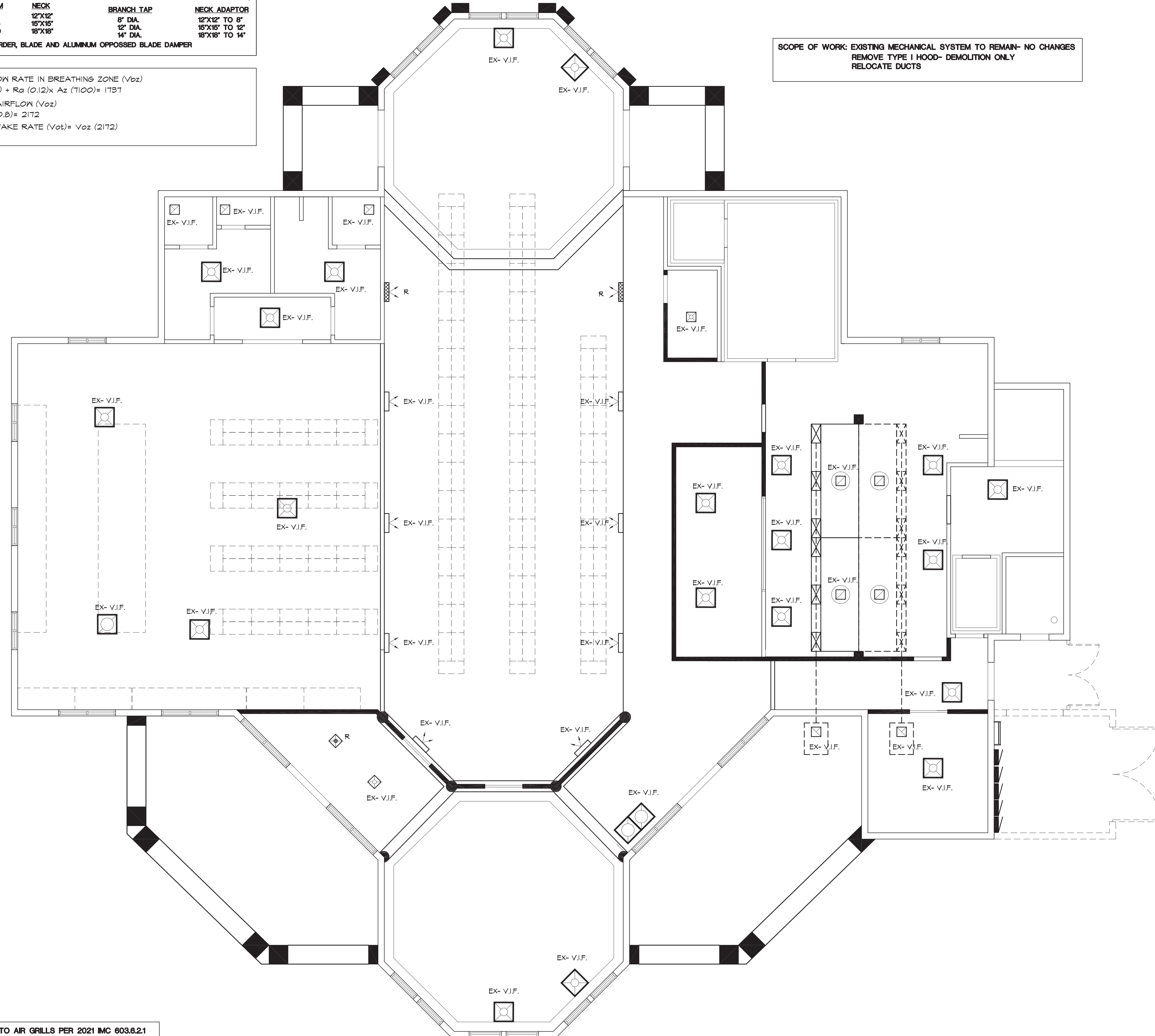
2. PROVIDE NEXK, BRANCH TAP & NECK ADAPTOR SIZED IN ACCORDANCE WITH THE FOLLOWINGS:

DIFFUSER CFM	NECK	BRANCH TAP	NECK ADAPTOR
UP TO 360	12"X12"	8" DIA.	12"X12" TO 8"
360 TO 475	15"X15"	12" DIA.	15"X15" TO 12"
480 TO 640	18"X18"	14" DIA.	18"X18" TO 14"

3. PROVIDE ALUMINUM BORDER, BLADE AND ALUMINUM OPPOSED BLADE DAMPER

- OUTDOOR AIR FLOW RATE IN BREATHING ZONE (Vbz)  
= Rp (7.5) x Pz (118) + Ra (0.12) x Az (7100) = 1737
- ZONE OUTDOOR AIRFLOW (Voz)  
= Vbz (1737) / Ez (0.8) = 2172
- OUTDOOR AIR INTAKE RATE (Vot) = Voz (2172)

SCOPE OF WORK: EXISTING MECHANICAL SYSTEM TO REMAIN- NO CHANGES  
REMOVE TYPE I HOOD- DEMOLITION ONLY  
RELOCATE DUCTS



NOTES: FLEXIBLE AIR CONNECTORS SHALL BE LIMITED IN LENGTH TO MAX. 14' FROM RIGID DUCT TO AIR GRILLS PER 2021 IMC 603.6.2.1  
CONTRACTOR SHALL VERIFY CITY ORDINANCE OR EXCEPTION FOR MAX. ALLOWABLE LENGTH OF FLEXIBLE AIR CONENCTOR PRIOR TO INSTALLATION  
PROVIDE FIRE DAMPER WHEN A/C IS MORE THAN 2000 CFM PER CODE.  
PROVIDE EXHAUST SYSTEM CAPABLE OF EXHAUSTING 70 CUBIC FEET OF AIR PER MINUTES FOR EACH WATER CLOSET INSTALLED IN THE RESTROOM.  
THIS SYSTEM SHALL BE CONNECTED DIRECTLY TO THE OUTSIDE.



MA International  
2601 Perth Street  
Dallas, TX 75220

F-3485

ENGINEER

ARCHITECT SEAL



ENGINEER SEAL

#	DATE	SUBMISSION
--	01.19.22	CONSTRUCTION DOCUMENT
△	--	--

DESI ADDA  
1110 KELLER PKWY  
KELLER, TX  
76248

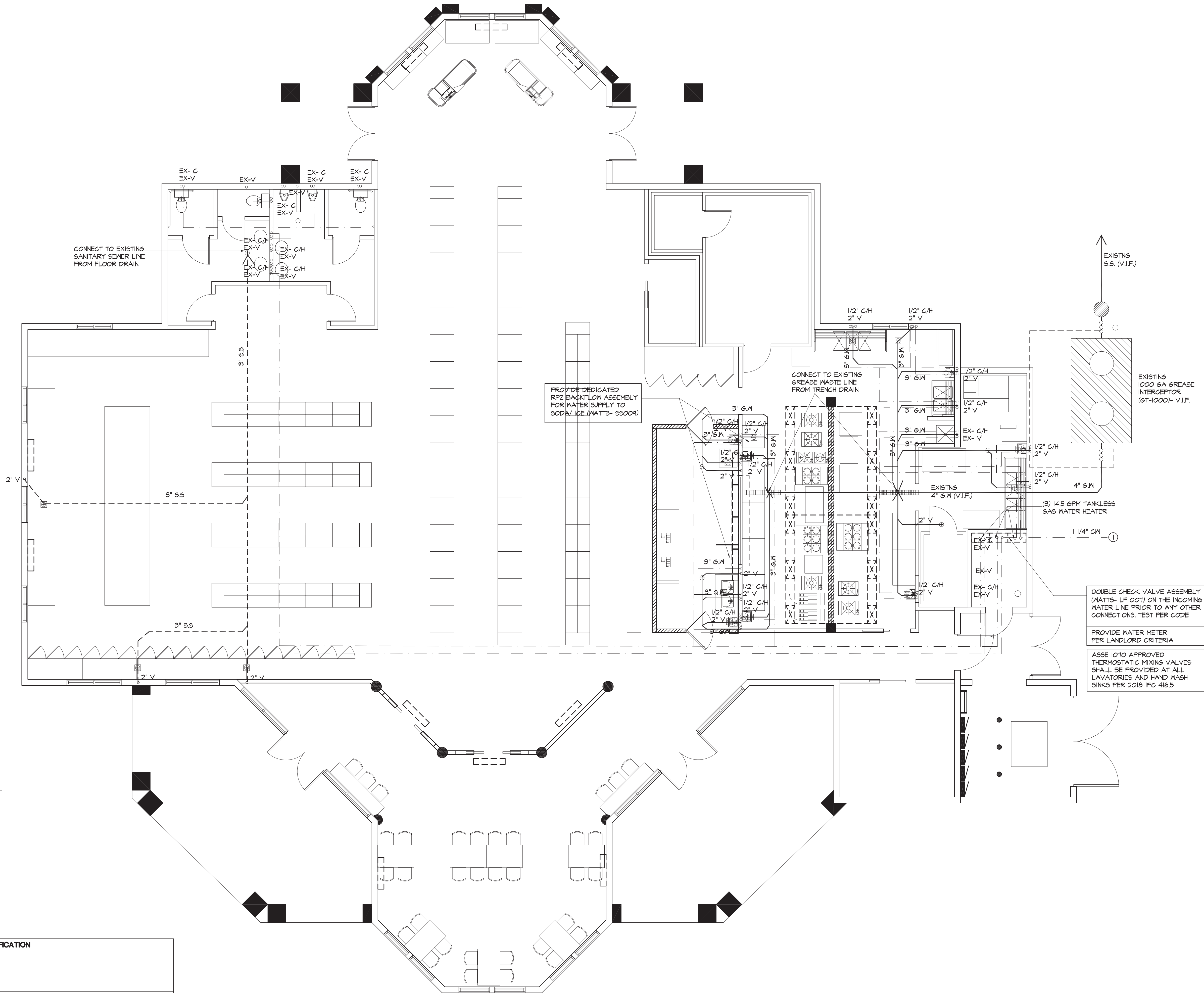
MECHANICAL

**PLUMBING KEY NOTES**

- ① PROVIDE WATER SUPPLY LINE FROM BUILDING WARE, FIELD VERIFY.  
PROVIDE BACKFLOW PREVENTOR IF/AS REQUIRED BY THE CITY.
- ② PROVIDE GAS SUPPLY LINE FROM GAS METER
- ③ GAS RISER WITH EMERGENCY SHUT OFF VALVE

**PLUMBING NOTES**

- I. ALL PLUMBING WORKS AND MATERIALS ARE TO CONFORM WITH PLUMBING CODE, LOCAL AND STATE CODES.
2. PLUMBING CONTRACTOR SHALL VERIFY AVAILABILITY WITH LOCATIONS, SIZES OF SEWER, WATER, AND GAS.
3. PLUMBING CONTRACTOR SHALL MAKE ARRANGEMENT WITH THE UTILITY COMPANIES FOR SERVICE AND CONNECTIONS, PAY FOR ALL PERMITS, CONNECTION FEES, INSPECTION FEES AND METER CHARGES.
4. SOIL AND WASTE PIPING SHALL SLOPE AT 2% MINIMUM.
5. ALL VENTS AND FLUES SHALL CLEAR OUTSIDE AIR INTAKES OR OPENINGS BY MINIMUM OF 10'
6. PLUMBING CONTRACTOR SHALL MAKE & COMPLETE ROUGH IN ALL FINAL CONNECTION TO EQUIPMENT PROVIDED BY OTHERS REQUIRING PLUMBING CONNECTIONS.
7. PLUMBING CONTRACTOR SHALL PROVIDE FIXTURES, FAUCETS, TRAPS, STOPS, GATE VALVES, GLOBE VALVES, GAS COCKS, WATER HAMMER ARRESTERS, CLEANOUTS, INDIRECT WASTE PIPING, AND ALL NECESSARY TRIMS FOR A COMPLETE PLUMBING SYSTEM.
8. INSULATE ALL HOT & COLD WATER LINES ABOVE GRADE WITH 1" FIBERGLASS PIPE INSULATION, WITH VAPOR BARRIER.
9. PROVIDE GAS SUPPLY LINE FROM GAS METER.
10. VERIFY ALL FINAL CONNECTIONS TO EQUIPMENT WITH EQUIPMENT SUPPLIER. VERIFY ROUGH-IN REQUIREMENTS WITH SAME.
- II. MATERIAL SHALL BE AS FOLLOWS:
  - A. WATER PIPING TO BE PEX OR 1/2" COPPER BELOW GRADE, TYPE 1/2" COPPER ABOVE GRADE.
  - B. WASTE PIPING TO BE CAST IRON OR PVC IF ACCEPTED BY CITY.
  - C. VENTS TO BE CAST IRON OR PVC IF ACCEPTED BY CITY.
  - D. GAS PIPING TO BE SCHEDULE 40, BLACK STEEL PIPE. PROVIDE GAS SHUT-OFF VALVE TO EACH EQUIPMENT.
  - E. CONDENSATE DRAIN PIPING TO BE COPPER OR CAST IRON. PROVIDE INSULATION FOR PIPING INSIDE BUILDING.
11. ALL INDIRECT WASTES EXCEEDING 24" IN LENGTH SHALL BE TRAPPED.
12. PROVIDE CLEANOUTS REQUIRED, AND AT THE BASE OF ALL STACKS.
13. ROUTE DRAIN LINES FROM HOT WATER HEATERS TO NEAR BY FLOOR SINK.
14. PROVIDE FIXTURE STOPS AT ALL PLUMBING FIXTURES.
15. HANDICAP PLUMBING FIXTURES SHALL BE INSULATED IN ACCORDANCE WITH THE ADA REQUIREMENTS & LOCAL STATE BARRIER FREE REQUIREMENT.
16. PROVIDE 1/2" WATER SUPPLY LINE FROM BUILDING WATER, PROVIDE WATER BACKFLOW PREVENTOR PER CITY.



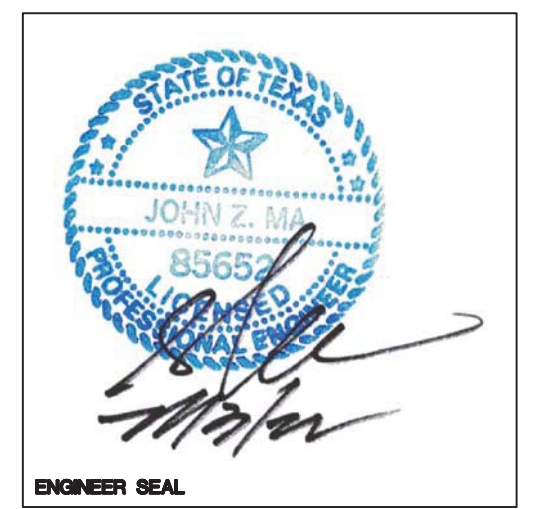
NOTES: PROVIDE EXP. TANK & VACCUME BREAKER VALVES AS SPECIFICATION  
INDIRECT DRAINS WITH AIR GAPS AT FLOOR SINKS.  
INSTALL SCREEN OR STRAINERS INSIDE ALL FLOOR SINK.  
FOR WATER LINE, RPZ AS SPEC.  
ALL FLOOR DRAINS MUST HAVE TRAP PRIMERS.

NOTES: THERE MUST BE ABSOLUTELY NO EXPOSED PLUMBING LINES ANYWHERE WITHIN THE ESTABLISHMENT.  
ALL PLUMBING LINES AND SERVICE MUST BE INSTALLED TO BE CONCEALED WITHIN THE FINISH WALLS,  
AND PENETRATE ONLY AT THE POINT OF CONNECTION TO THE EQUIPMENT THAT IT SERVES.  
ANY PENETRATION THROUGH THE WALL, FLOOR, OR CEILING AT ALL PLUMBING WATER OR WASTE LINES  
MUST BE SEALED AROUND THE PIPE FIRST, AND THEN THE ESCUTCHEON SEALED TO THE WALL.



**MA International**  
2601 Perth Street  
Dallas, TX 75220  
**F-3485**  
ENGINEER

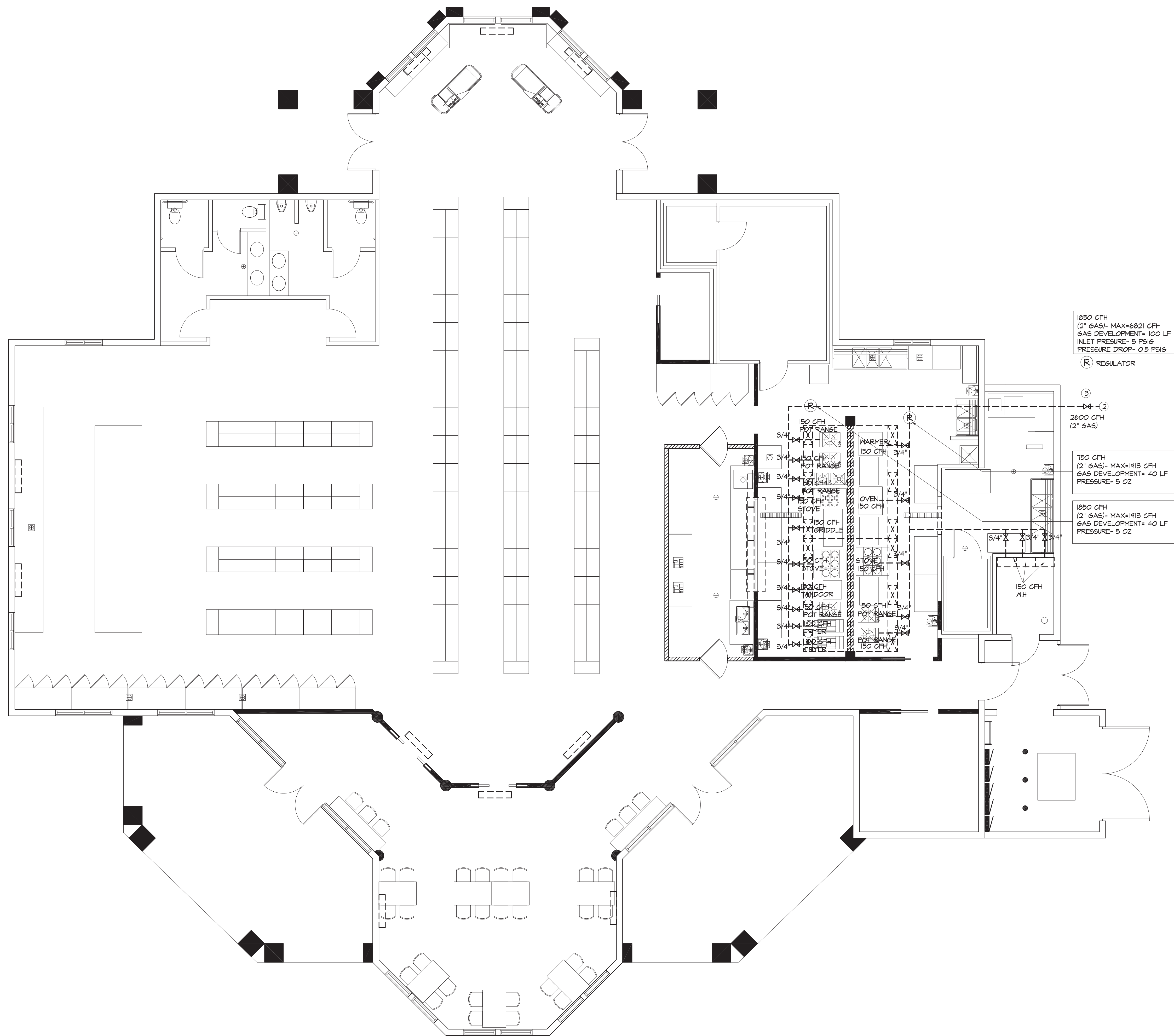
ARCHITECT SEAL



#	DATE	SUBMISSION
--	01/19/22	CONSTRUCTION DOCUMENT
△	--	--

**DESI ADDA**  
1110 KELLER PKWY  
KELLER, TX  
76248

**PLUMBING**



150 CFH  
(2" GAS)- MAX=6821 CFH  
GAS DEVELOPMENT= 100 LF  
INLET PRESSURE- 5 PSIG  
PRESSURE DROP- 0.5 PSIG

(R) REGULATOR

(S)

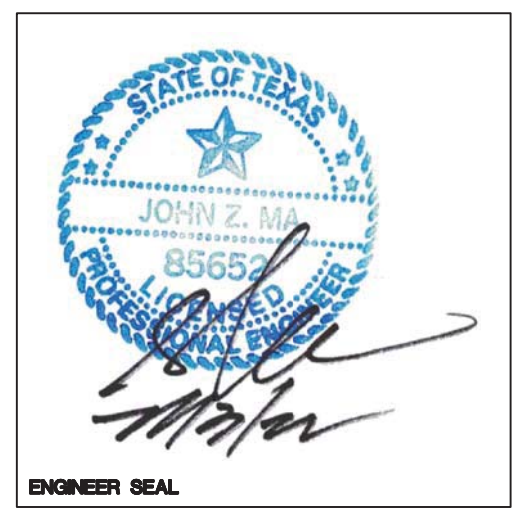
2600 CFH  
(2" GAS)

150 CFH  
(2" GAS)- MAX=1913 CFH  
GAS DEVELOPMENT= 40 LF  
PRESSURE- 5 OZ

150 CFH  
(2" GAS)- MAX=1913 CFH  
GAS DEVELOPMENT= 40 LF  
PRESSURE- 5 OZ

**MA International**  
2601 Perth Street  
Dallas, TX 75220  
**F-3485**  
ENGINEER

ARCHITECT SEAL



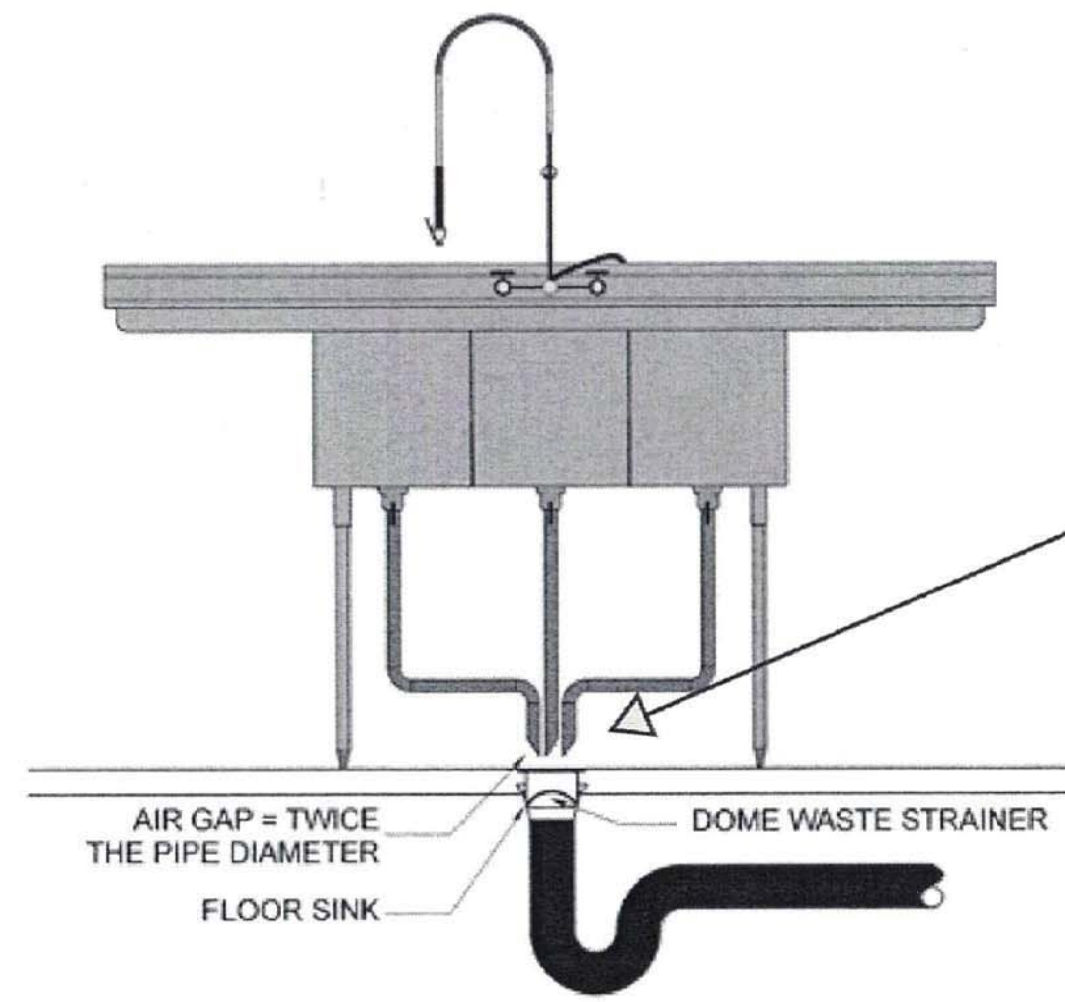
#	DATE	SUBMISSION
--	01.19.22	CONSTRUCTION DOCUMENT
△	--	--

**DESI ADDA**  
1110 KELLER PKWY  
KELLER, TX  
76248

**GAS**

**802.2.1 Air gap.**

The air gap between the indirect waste pipe and the flood level rim of the waste receptor shall be not less than twice the effective opening of the indirect waste pipe.



**802.1.1 Food handling.**  
Equipment and fixtures utilized for the storage, preparation and handling of food shall discharge through an indirect waste pipe by means of an air gap. Each well of a multiple-compartment sink shall discharge independently to a waste receptor.

**GREASE TRAP CALCULATION**

GREASE TRAP CAPACITY IN GALLONS= TOTAL GALLONS PER MINUTE (GPM) X 0.4 (40% SIZE REDUCTION) X 12 (12 MINUTE RETENTION)  
GPM= DFU X MULTIPLIER (1.5)

	FIXTURE	DFU	MULTIPLIER	GALLONS PER MINUTE (GPM)	UNIT	TOTAL
1	3 COMPARTMENT SINK	2	1.5	15	2	30
2	HAND SINK	1	1.5	7.5	6	45
3	MOP SINK	3	1.5	22.5	1	22.5
4	FLOOR DRAIN/ FLOOR SINK/ TRENCH	2	1.5	15	4	60
5	PREP. SINK	1	1.5	7.5	3	22.5
6	DISH WASHER/ GLASS WASHER	3	1.5	22.5	1	22.5
	TOTAL GALLONS PER MINUTE (GPM)					202.5

202.5X 0.4 X 12= 412 GA REQ'D

**FIXTURE UNIT (F.U.)**

NU.	FIXTURE	(F.U.) FACTOR	UNIT	TOTAL	REMARK
1	TOILET	5	3	15	
2	HAND SINK	3	10	30	
3	PREP. SINK	3	2	6	
4	3 COMP. SINK	4	2	8	
5	MOP SINK	3	1	3	
6	DISH WASHER	2	1	2	
7	URINAL	5	0	0	
8	WASHER	2	N/A	N/A	
9	DRINING FOUNTAIN	0.25	0	0	
	TOTAL F.U.			64	
	GPM			34	MIN. 1 1/4" CW, 1 1/4" HW REQ'D

**DRAINAGE FIXTURE UNIT (DFU)**

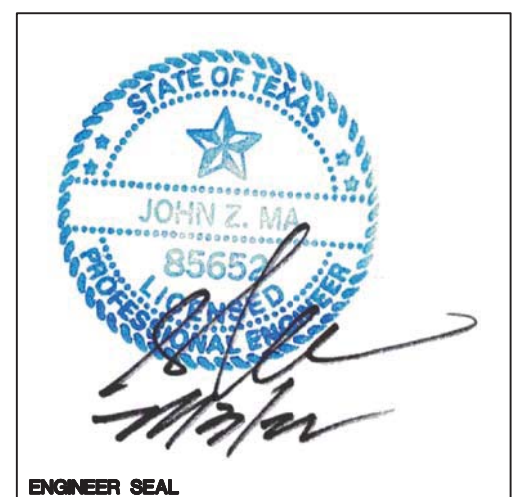
NU.	FIXTURE	(F.U.) FACTOR	UNIT	TOTAL	REMARK
1	TOILET	4	3	12	
2	HAND SINK	1	10	10	
3	PREP. SINK	2	2	4	
4	3 COMP. SINK	2	2	4	
5	MOP SINK	2	1	2	
6	DISH WASHER	2	1	2	
7	URINAL	4	0	0	
8	F.D/ F.S	2	11	22	
9	DRINING FOUNTAIN	0.25	N/A	N/A	
10	WASHER	2	N/A	N/A	
	TOTAL DFU			56	
	PIPE SIZE			4"	MIN. 4" SEWER LINE REQ'D



**MA International**  
2601 Perth Street  
Dallas, TX 75220  
**F-3485**

ENGINEER

ARCHITECT SEAL



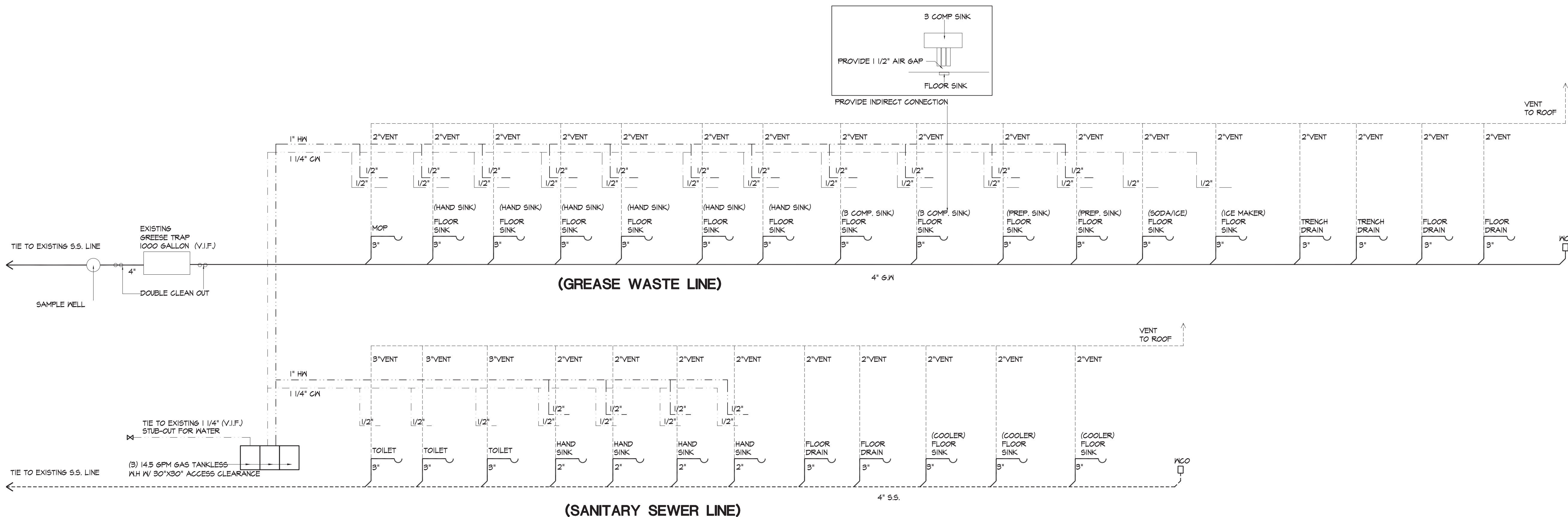
ENGINEER SEAL

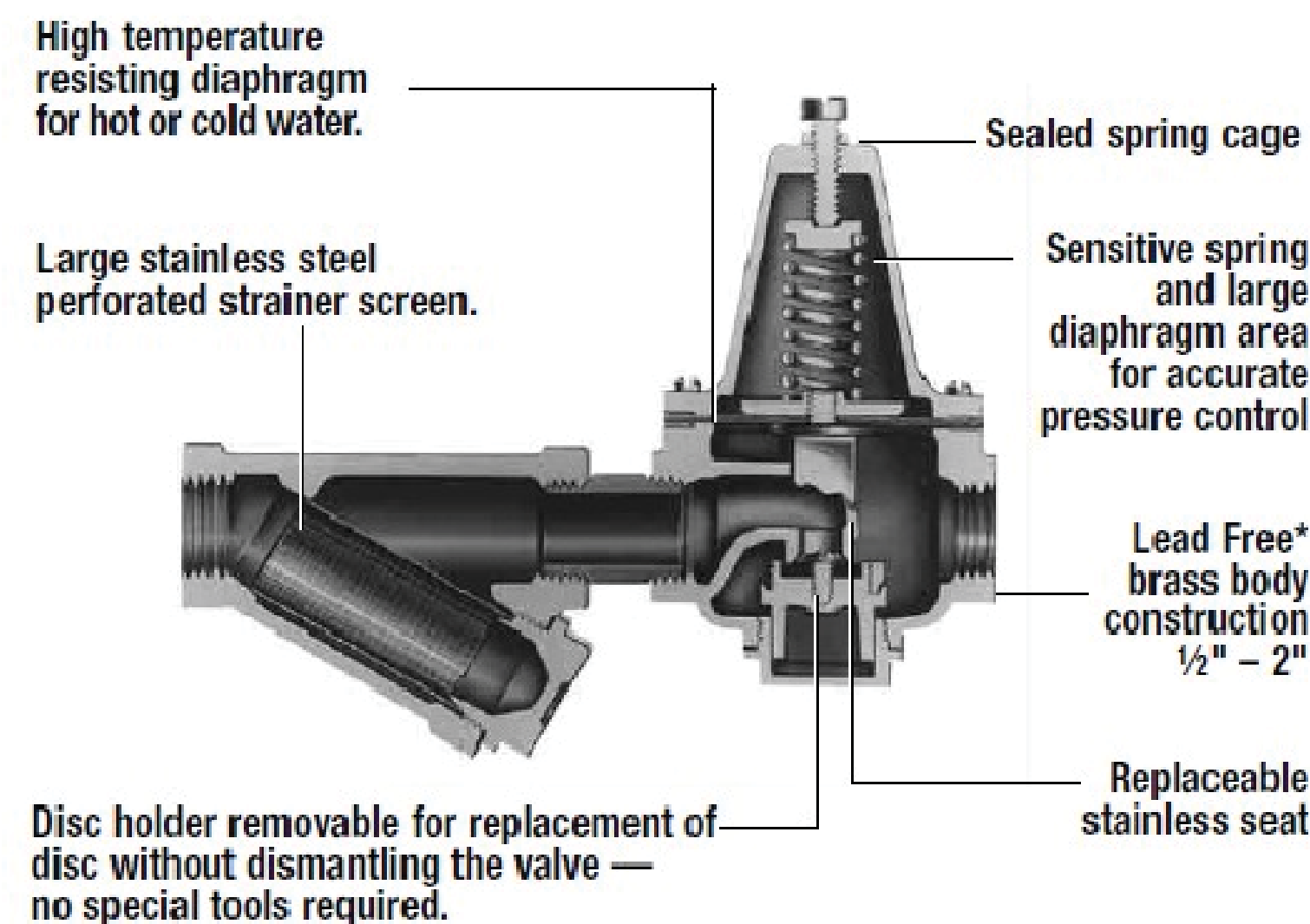
#	DATE	SUBMISSION
--	01.19.22	CONSTRUCTION DOCUMENT
△	--	--

**DESI ADDA**  
1110 KELLER PKWY  
KELLER, TX  
76248

**PLUMBING  
DETAILS**

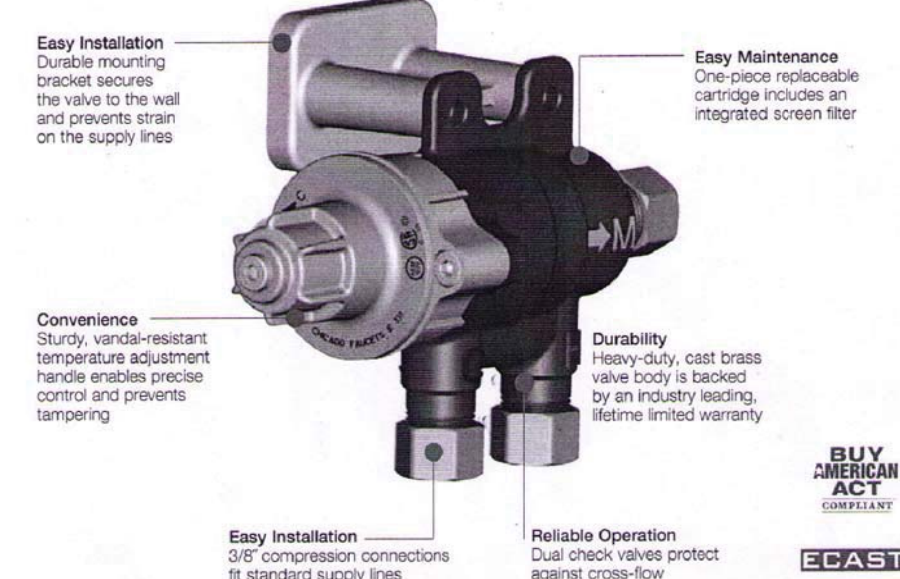
22207-02  
JOB NO. SHEET





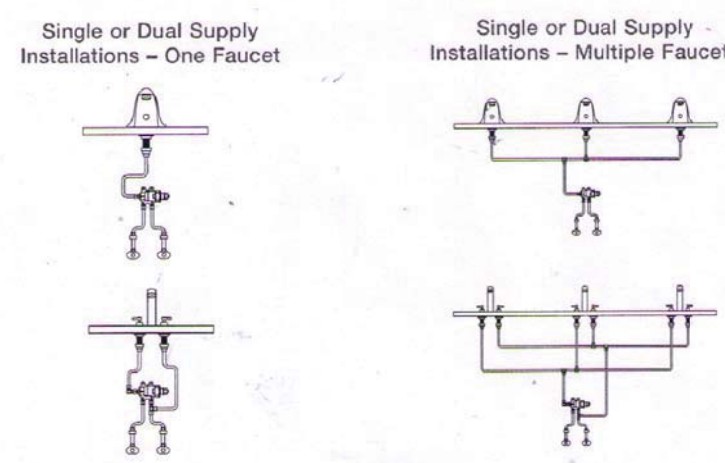
NOTES: PROVIDE PRESSURE REGULATOR ON CUSTOMER SIDE OF METER  
**04 WATER PRESSURE REDUCING VALVE**

**The 131 Series Mixing Valve**



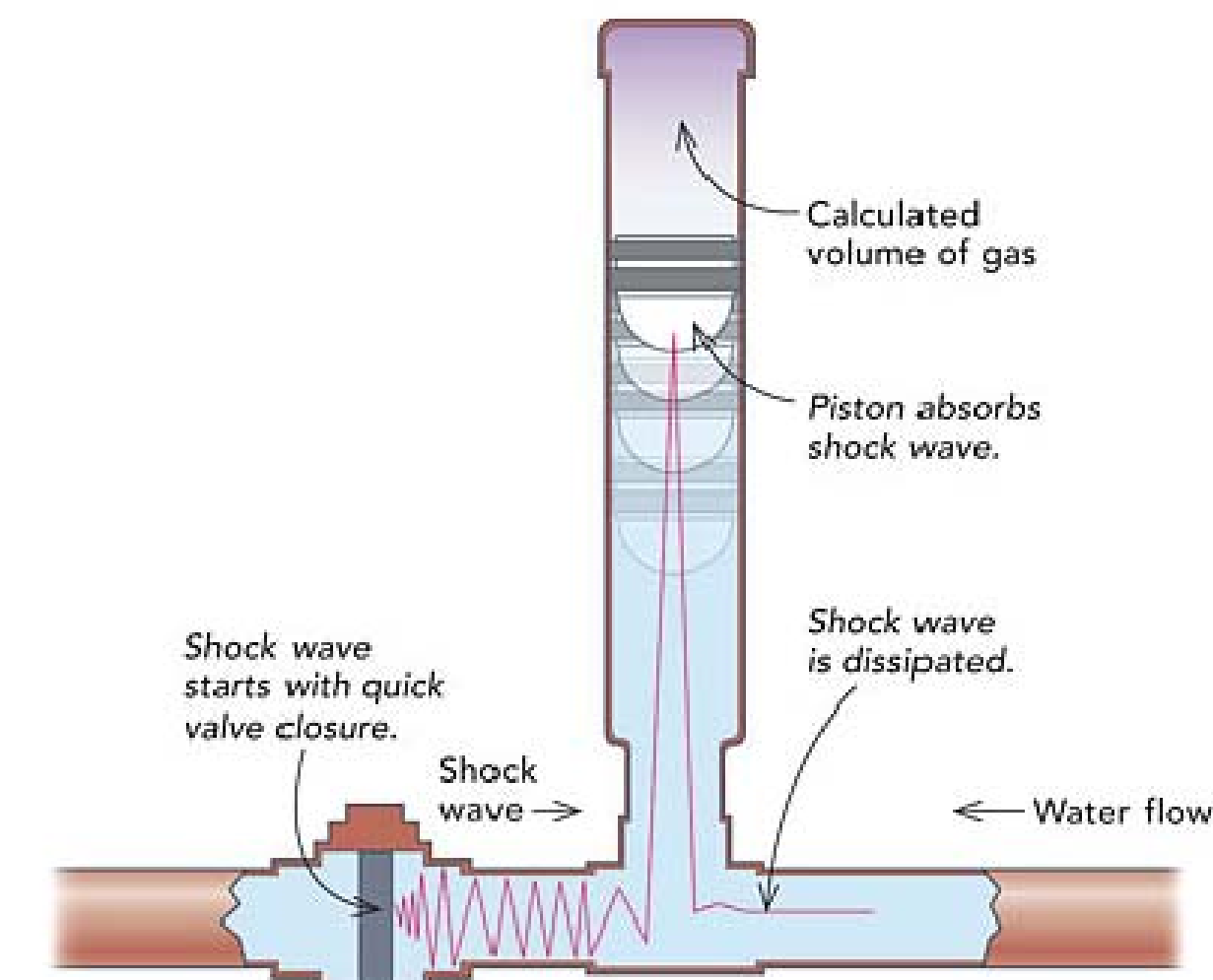
**A Versatile and Expandable Solution for Tempered Water**

The 131 Series Mixing Valve features a versatile design that allows it to be easily installed with our electronic basins as well as our manual faucets. With a flow rate of up to 6.6 GPM, it allows you to expand the delivery of tempered water to multiple basins with just a single 131 Series Valve.



NOTES: ASSE 1070 APPROVED THERMOSTATIC MIXING VALVES SHALL BE PROVIDED AT ALL LAVATORIES AND HAND WASH SINKS

**03 THERMAL MIXING VALVE (TMV)**



NOTES: PROVIDE WATER HAMMER ARRESTORS PER IPC 604.9

**02 WATER ARRESTOR**

**For Non-Health Hazard Applications**

Job Name \_\_\_\_\_ Contractor \_\_\_\_\_  
 Job Location \_\_\_\_\_ Approval \_\_\_\_\_  
 Engineer \_\_\_\_\_ Contractor's P.O. No. \_\_\_\_\_  
 Approval \_\_\_\_\_ Representative \_\_\_\_\_

**LEAD FREE Series LF007 Double Check Valve Assemblies**

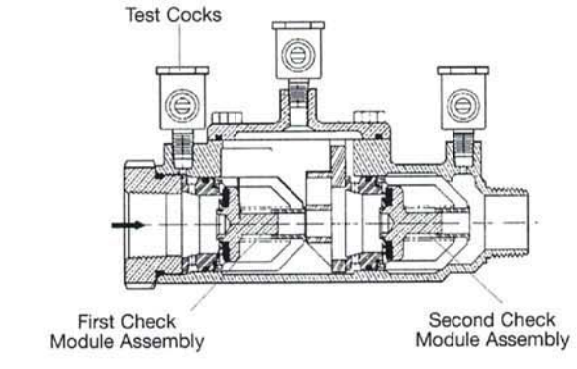
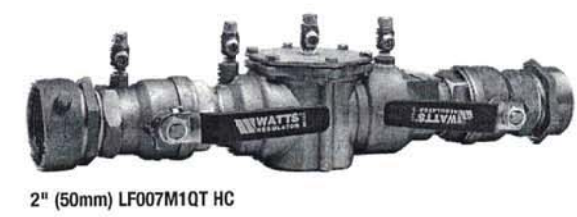
Sizes: 1/2" - 3" (15 - 80mm)

Series LF007 Double Check Valve Assemblies shall be installed at referenced cross-connections to prevent the backflow of polluted water into the potable water supply. Only those cross-connections identified by local inspection authorities as non-health hazard shall be allowed the use of an approved double check valve assembly. The LF007 features Lead Free\* construction to comply with Lead Free\* installation requirements. Check with local authority having jurisdiction regarding vertical orientation, frequency of testing or other installation requirements. The valve shall meet the requirements of ASSE Std. 1015 and AWWA Std. C510. Approved by the Foundation for Cross-Connection Control and Hydraulic Research at the University of Southern California.

- Features**
- Ease of maintenance - only one cover
  - Top entry
  - Replaceable seats and seat discs
  - Modular construction
  - Compact design
  - Cast Lead Free\* bronze body construction - 1/2" - 2" (15 - 50mm)
  - Fused epoxy coated cast iron body - 2 1/2" - 3" (65 - 80mm)
  - Top mounted Lead Free\* ball valve test cocks
  - Low pressure drop
  - No special tools required for servicing
  - 1/2" - 1" (15 - 25mm) have tee handles

**Specifications**

A Double Check Valve Assembly shall be installed at each noted location. The assembly shall consist of two positive sealing check modules with captured springs and rubber seat discs. The check module seats and seat discs shall be replaceable. Service of all internal components shall be through a single access cover secured with stainless steel bolts. The Double Check Valve Assemblies shall be constructed using Lead Free\* materials. Lead Free\* Double Check Valve Assemblies shall comply with state codes and standards, where applicable, requiring reduced lead content. The assembly shall also include two resilient seated isolation valves; four top mounted, resilient seated test cocks. The assembly shall meet the requirements of ASSE Std. 1015 and AWWA Std. C510. Approved by the Foundation for Cross-Connection Control and Hydraulic Research at the University of Southern California. Assembly shall be a Watts Series LF007.



The LF007 Series features a modular design concept which facilitates complete maintenance and assembly by retaining the spring load.

**Now Available WattsBox Insulated Enclosures.**  
 For more information, send for literature ES-WB.

**IMPORTANT: INQUIRE WITH GOVERNING AUTHORITIES FOR LOCAL INSTALLATION REQUIREMENTS**

\*The wetted surface of this product contacted by consumable water contains less than one quarter of one percent (0.25%) of lead by weight.



NOTES: DOUBLE CHECK VALVE SHALL BE INSTALLED AT INCOMING WATER LINE. BACKFLOW ASSEMBLY SHALL BE RP ASSEMBLY

**01 RPZ DETAILS**

**For Health Hazard Applications**

Job Name \_\_\_\_\_ Contractor \_\_\_\_\_  
 Job Location \_\_\_\_\_ Approval \_\_\_\_\_  
 Engineer \_\_\_\_\_ Contractor's P.O. No. \_\_\_\_\_  
 Approval \_\_\_\_\_ Representative \_\_\_\_\_

**LEAD FREE Series SS009 Stainless Steel Reduced Pressure Zone Assemblies**

Sizes: 1/2" - 1"

Series SS009T Stainless Steel Reduced Pressure Zone Assemblies provide protection of the potable water supply in accordance with national plumbing codes and water authority requirements. Series SS009 can be used in a variety of health hazard installations whenever the downstream liquid is of a composition which may damage bronze material or it is desirable to eliminate trace elements of lead and copper. Typical applications are: Industrial or plant use, medical/diagnostic equipment, reverse osmosis systems, carbonated beverage machines, breweries/distillers, paper and pulp industry, chemical plants and aggressive atmospheres. The SS009 series features two in-line independent check valves, captured springs, replaceable check seats, corrosion resistant internal parts and a hydraulically operated differential pressure relief valve. All items are constructed with NPT body connections and are standardly furnished with vandal resistant Test Cocks. Series SS009T's are furnished with 316 Stainless Steel, full port, investment cast, quarter turn ball valve shutoffs with 304 Stainless Steel tee handles.

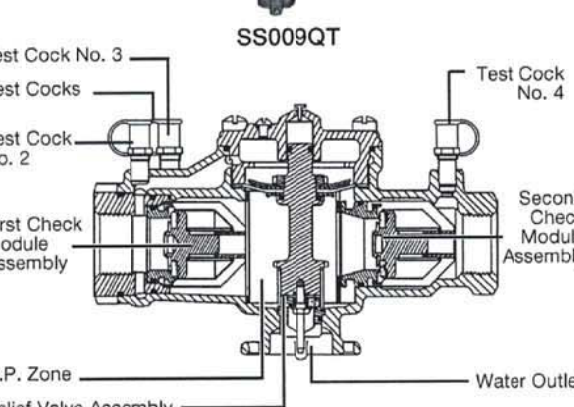
- Features**
- Investment Cast 316 Stainless Steel Assembly for corrosion resistance
  - All wetted valve components - test cocks, ball valve shutoffs, pipe nipples, body and cover, check modules and relief valve assembly are made from Lead Free\* Stainless Steel or Plastic construction
  - Bolted on, top entry single access cover for ease of maintenance
  - Modular check construction featuring nonreversible checks with captured springs for simplified servicing
  - Top mounted vandal resistant test cocks provide easy access for testing
  - True line sized check modules open further allowing dirt and debris to pass freely through the valve reducing fouling problems
  - Check and Relief Valve Seats are replaceable without the use of special tools
  - Internal relief valve for right and left hand installations

**NOTICE**

The information contained herein is not intended to replace the full product installation and safety information available or the experience of a trained product installer. You are required to thoroughly read all installation instructions and product safety information before beginning the installation of this product.

\*The wetted surface of this product contacted by consumable water contains less than 0.25% of lead by weight.

Watts product specifications in U.S. customary units and metric are approximate and are provided for reference only. For precise measurements, please contact Watts Technical Service. Watts reserves the right to change or modify product design, construction, specifications or materials without prior notice and without incurring any obligation to make such changes and modifications on Watts products previously or subsequently sold.



**Specifications**

A reduced pressure zone assembly shall be installed at each noted potential health hazard location to prevent backflow due to backsiphonage and/or backpressure. The assembly shall consist of an internal pressure differential relief valve located in a zone between two independently operating positive sealing check modules with captured springs and silicone seat discs. Seats and seat discs shall be replaceable in both check modules and the relief valve, without the use of special tools. There shall be no threads or screws, in the waterway, exposed to the fluids. Service of all internal components shall be through a single access cover secured with stainless steel bolts. The assembly shall include two resilient seated isolation valves, four top mounted vandal resistant test cocks with dust covers, a protective stainless steel wire strainer with a 20 mesh screen and an air gap fitting. The assembly shall consist of an investment cast 316 Stainless Steel body and cover with Series 300 Stainless Steel test cocks, 316 Stainless Steel Ball Valve Shutoffs with PTFE Seat blowout proof 304 Stainless Steel stems, and 304 Stainless Steel Tee Handles. The assembly shall meet the requirements of ASSE Standard 1015, AWWA Standard C511. Assembly shall be a Watts Series SS009T.

**Now Available WattsBox Insulated Enclosures.**  
 For more information, send for literature ES-WB.

**NOTICE**  
 Inquire with governing authorities for local installation requirements

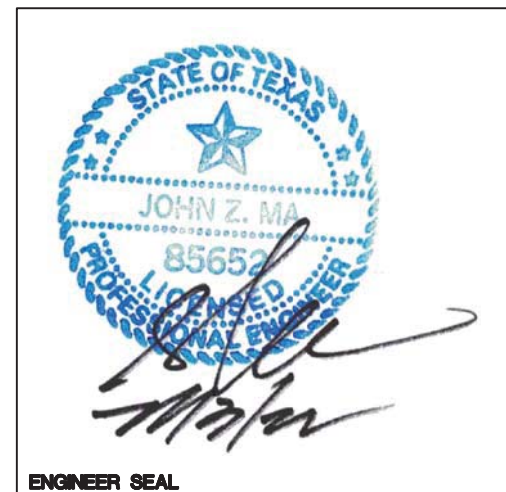


**SS 009 WATTS- RPZ- LEAD FREE**  
 - CARBONATOR, COFFEE, ICE MAKER, WATER FILTER

**MA International**  
 2601 Perth Street  
 Dallas, TX 75220  
**F-3485**

ENGINEER

ARCHITECT SEAL



#	DATE	SUBMISSION
--	07/19/22	CONSTRUCTION DOCUMENT
△	--	--

**DESI ADDA**  
 1110 KELLER PKWY  
 KELLER, TX  
 76248

**PLUMBING  
 DETAILS**

**N.T.S.**

22207-02  
 JOB NO. **P4**  
 SHEET





### FLOW RATE GUIDE

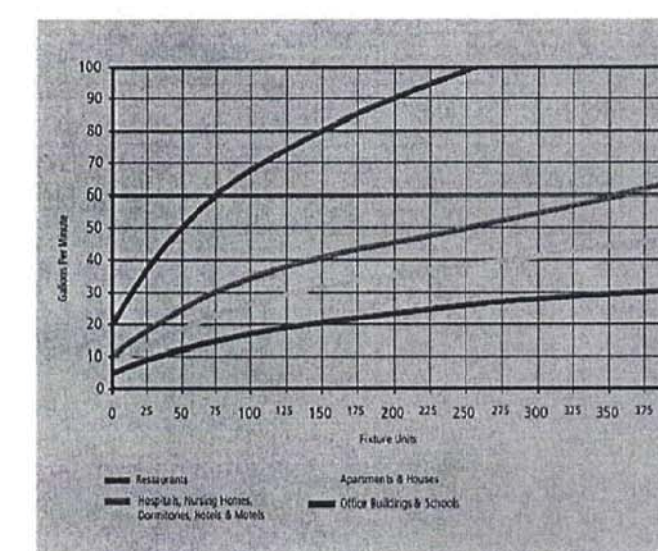
Temperature Rise vs. Gallons per Minute

Temp Rise	110/U/C	310/U/C	510/U/C	140	240	340	540/P	GT-199	910
30"	6.6	8.0	10.0	6.6	6.6	8.0	10.0	10.0	14.5
35"	6.6	8.0	9.3	6.4	6.6	8.0	10.0	10.0	14.5
40"	5.7	7.8	8.1	5.6	6.6	8.0	9.5	9.5	14.5
45"	5.1	6.9	7.2	5.0	6.6	7.6	8.4	8.4	13.5
50"	4.8	6.2	6.5	4.5	6.1	6.8	7.6	7.6	12.2
55"	4.2	5.7	5.9	4.1	5.5	6.2	6.9	6.9	11.1
60"	3.8	5.2	5.4	3.7	5.1	5.7	6.3	6.3	10.1
65"	3.5	4.8	5.0	3.4	4.7	5.3	5.8	5.8	9.4
70"	3.3	4.4	4.7	3.2	4.3	4.9	5.4	5.4	8.7
75"	3.1	4.1	4.3	3.0	4.1	4.6	5.0	5.0	8.1
80"	2.9	3.9	4.1	2.8	3.8	4.3	4.7	4.7	7.6
85"	2.7	3.7	3.8	2.6	3.6	4.0	4.4	4.4	7.2
90"	2.5	3.5	3.6	2.5	3.4	3.8	4.2	4.2	6.8
95"	2.4	3.3	3.4	2.3	3.2	3.6	4.0	4.0	6.4
100"	2.3	3.1	3.3	2.2	3.0	3.4	3.8	3.8	6.1

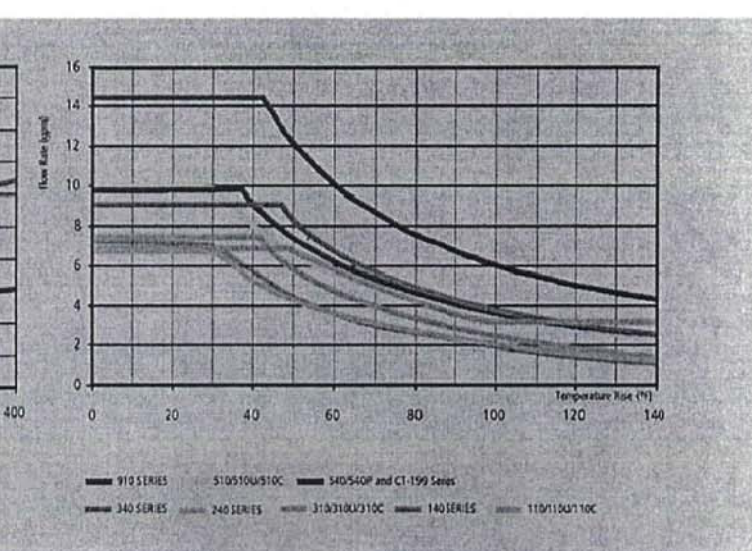
Flow rate is determined by temperature rise. To determine your temperature rise, subtract the incoming water temperature from the set output temperature. All units are factory set to 120°F or 122°F but can be changed.

8.7 GPM CAPACITY PER EACH UNIT AT 70 DEGREE TEMPERATURE

#### EXAMPLE OF HUNTER CURVES FOR SIZING LARGE APPLICATIONS



#### COMPARISON OF FLOW RATES VS. TEMPERATURE RISE



(3) GT-910-NIE PROVD

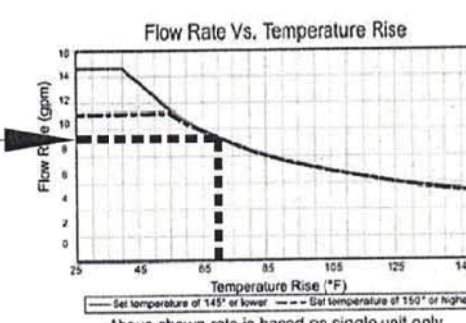


### Heavy-Duty Commercial Gas Tankless Water Heaters

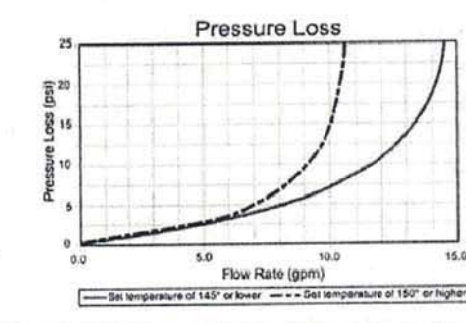
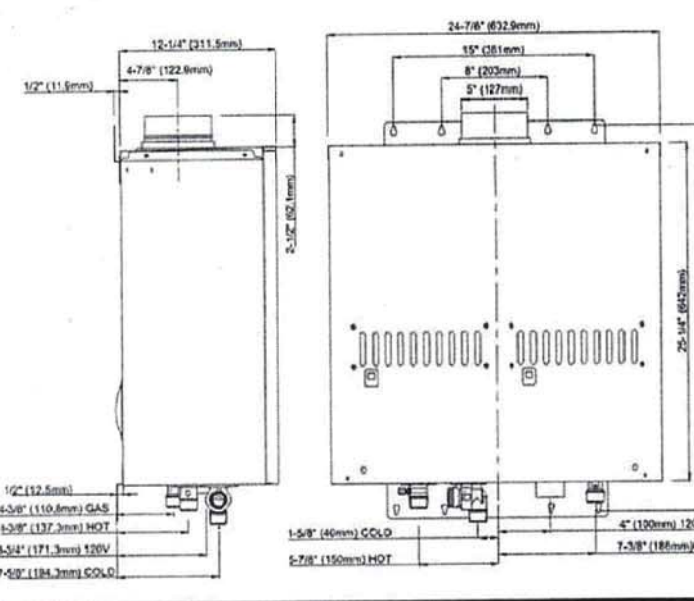
WATER HEATER MODEL

MODEL	FUEL TYPE	SAG CONSUMPTION INPUT	THERMAL EFFICIENCY	INLET GAS PRESSURE	MINIMUM	MAXIMUM	MINIMUM	MAXIMUM	MINIMUM	MAXIMUM	INLET	OUTLET	APPROX. SHIPPING WEIGHT
GT-910-NIE	Natural	15,000	82%	5.0	18.5	0.5-14.5	25-310	24-45	11-45	120	1.48	5" O.D.	113
GT-910-NIE	Propane	15,000	82%	8.0	14.8	0.5-14.5	25-310	24-45	11-45	120	1.48	5" O.D.	113
GT-910-NIE	Natural	15,000	82%	5.0	18.5	0.5-14.5	25-310	24-45	11-45	120	1.48	5" O.D.	113
GT-910-NIE	Propane	15,000	82%	8.0	14.8	0.5-14.5	25-310	24-45	11-45	120	1.48	5" O.D.	113

All dimensions in inches.  
 \*ASHRAE models  
 \*\*Current numbers based on factory testing, 0.4 GPM required for continuous fire after initial ignition.  
 \*\*\*Category III required  
 15-150 psig water pressure. Pressure relief valve requires (Min. 380,000 BTU/h, 150 PSI; Min 40 PSI or above recommended for maximum flow.



CLEARANCES:  
 INDOOR: Top 12", Bottom 12", Front 24", Back 0.5", Sides 2"  
 OUTDOOR: Top 36", Bottom 12", Front 24", Back 0.5", Sides 2"



Specification

Warranty and Service

Distributed By:  
 Order Entry and Sales  
 500 Princeton Road (FEDEX, UPS)  
 Johnson City, TN 37601-2030  
 P.O. Box 4808 (Mailing)  
 Johnson City, TN 37602-4808  
 (800) 937-1037

8.7 GPM CAPACITY PER EACH UNIT AT 70 DEGREE TEMPERATURE

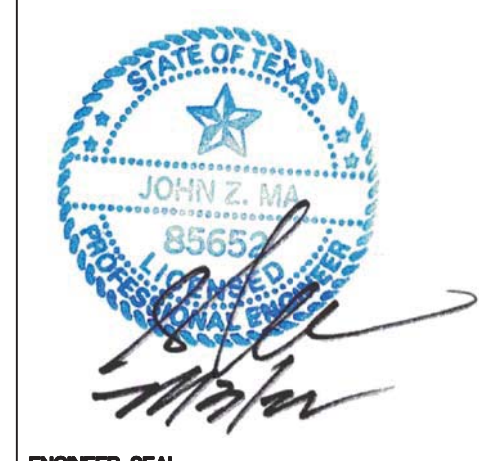
Tankless Water Heater Sizing Calculator			
Developed by the Plan Review Unit of the Environmental Health Services Section NC Division of Environmental Health			
Enter the quantity of each piece of equipment listed below.			
For other equipment enter the description and gallon per minute (GPM) value.			
Find dishmachine GPM on the "Dishmachine Specs" sheet below or on the manufacturer's spec sheet			
Facility Name:	DESI ADDA		
Address:	1110 KELLER PKWY, KELLER, TX 76248		
Equipment	Quantity	GPM Calculated	
Hand Sink	11	5 GPM each	5.5
Utensil Wash Sink	2	2 GPM each	4
Prep Sink	2	2 GPM each	4
Mop Sink	1	1 GPM each	1
Can Wash		1 GPM each	0
Other equipment	Description	GPM value	
Other equipment	DISH WASHER	6	6
Other equipment			0
Other equipment			0
Dishmachine brand	Dishmachine Model	Dishmachine GPM	
Pre-rinse Quantity		2 GPM each	0
Total Gallons per Minute (GPM) Needed:			20.5

MA International  
 2601 Perth Street  
 Dallas, TX 75220

F-3485

ENGINEER

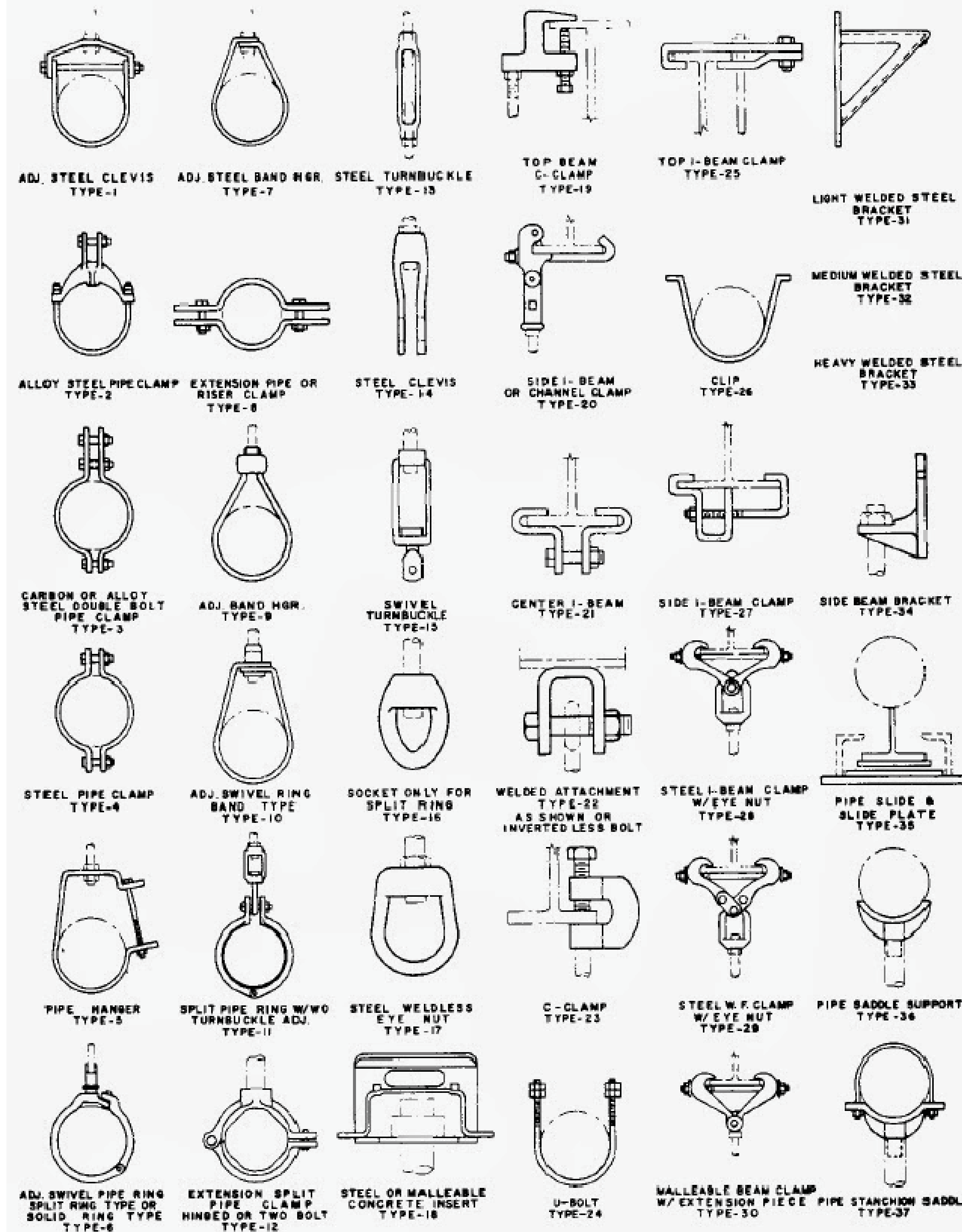
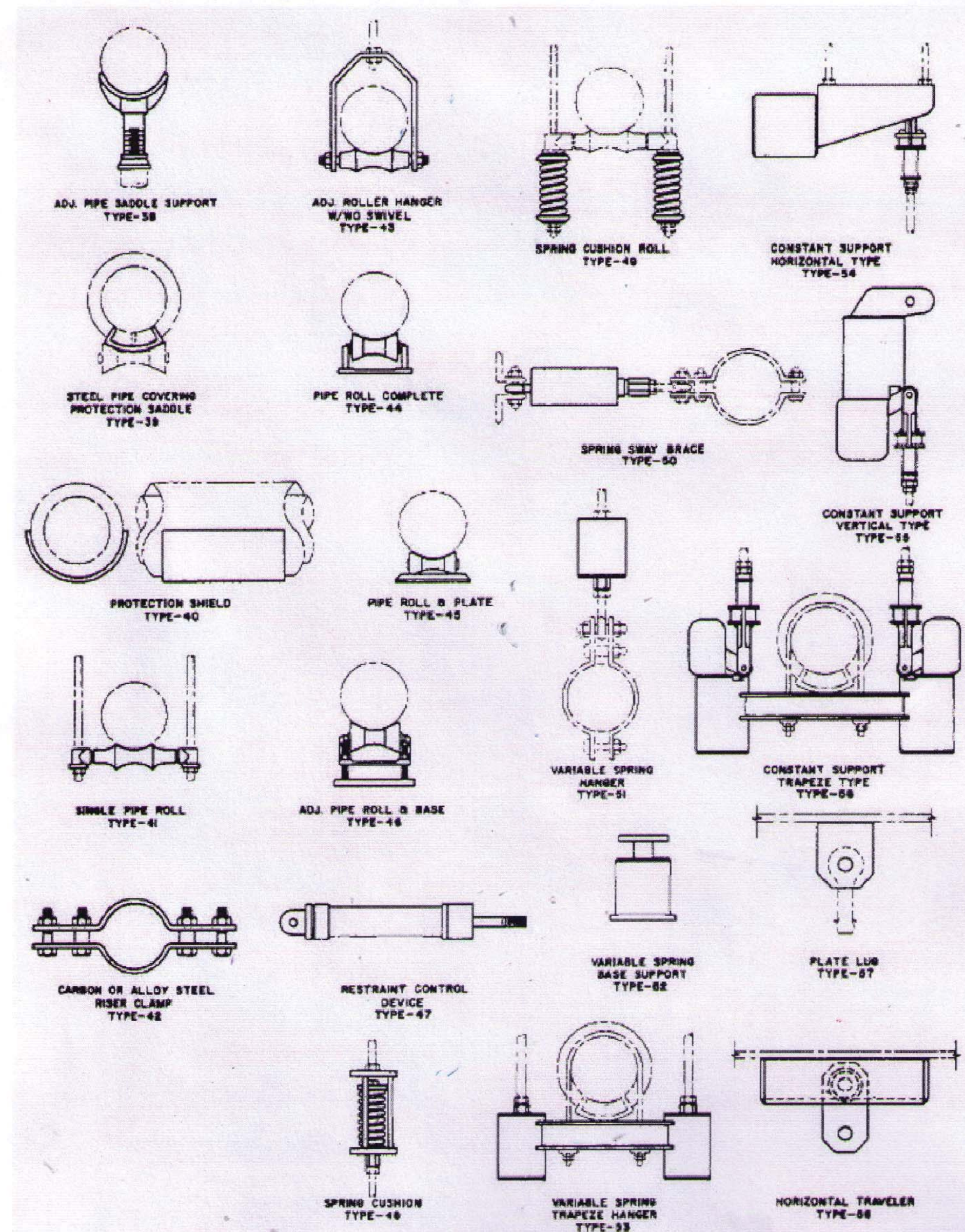
ARCHITECT SEAL



#	DATE	SUBMISSION
--	07/19/22	CONSTRUCTION DOCUMENT
△	--	--

DESI ADDA  
 1110 KELLER PKWY  
 KELLER, TX  
 76248

PLUMBING  
 DETAILS



MA International  
 2601 Perth Street  
 Dallas, TX 75220  
 F-3485

ARCHITECT SEAL

STATE OF TEXAS  
 JOHN Z. M...  
 8565  
 ENGINEER SEAL

#	DATE	SUBMISSION
1	01/9/22	CONSTRUCTION DOCUMENT
2		
3		
4		
5		
6		
7		
8		
9		
10		

DESI ADDA  
 1110 KELLER PKWY  
 KELLER, TX  
 76248

GAS  
 DETAILS