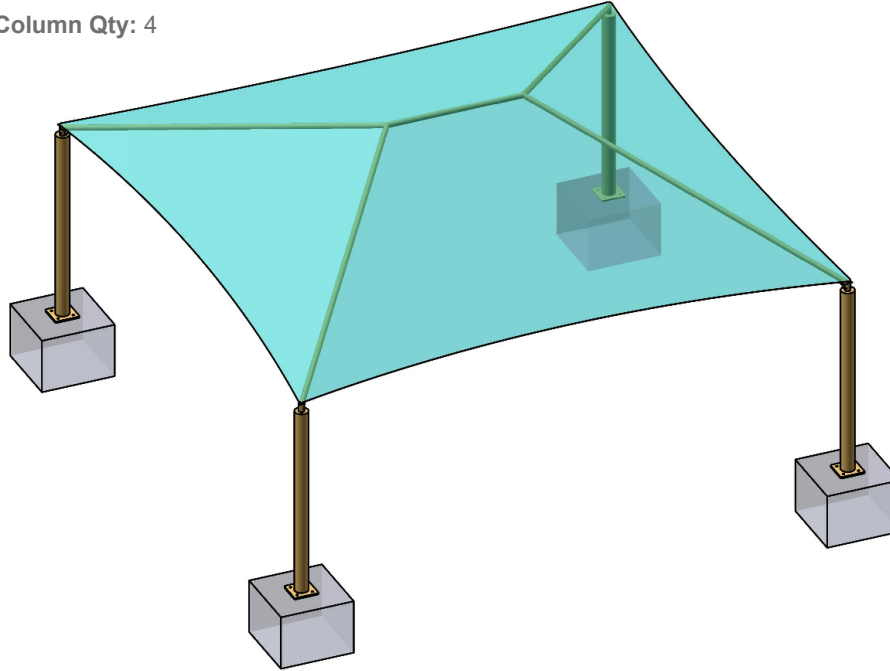


Keller Bear Creek Park

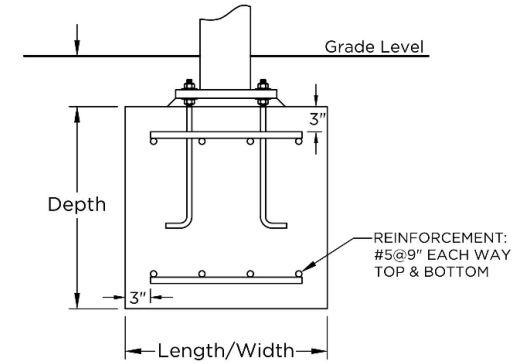
Hip Shade

Length	30	Width	30	Entry Height	9
Peak Height	14.55	Elbow	Glide	Column Mount	Base Plate
Column Size	5040	Rafter Size	5011	Ridge Size	5011
Column Length	9.5	Rafter Length	19.5552921	Ridge Length	7.5

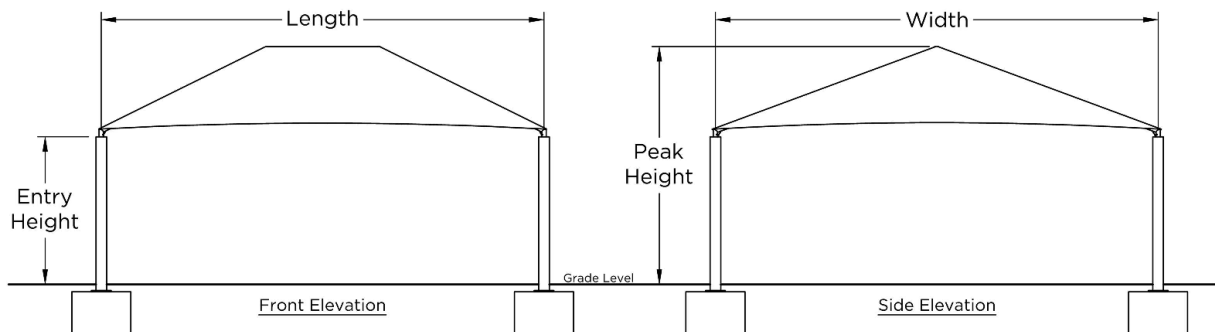
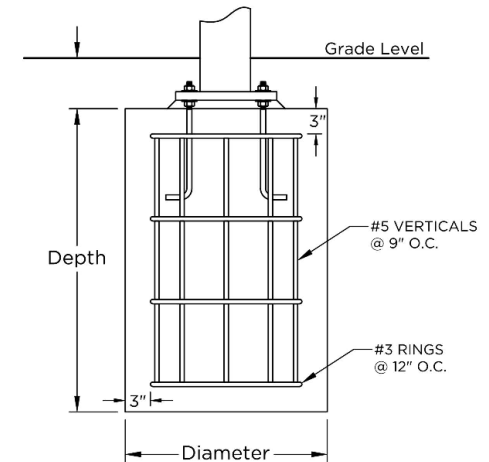
Dome Qty: 1 Column Qty: 4



Square Footing		
Column	Length & Width	Depth
Single Cap	3.8	3
Double Cap	N/A	3



Auger Footing		
Diameter	Single Cap Depth	Double Cap Depth
1'-6"		
2'-0"	Out of range	N/A
2'-6"	Out of range	N/A
3'-0"	4.9	N/A



QUOTE

SHADE SIZE
30 X 30

SHADE STYLE
Hip Shade

These drawings are for reference only and should not be used as construction details. They show the general character and rough dimensions of the structural features. Exact spans, fasteners, materials, and foundations can be determined by a licensed professional engineer upon request. Estimated footing size above is based on 1,500 PSF soil bearing pressure.



For illustration purposes only. COLORS TBD. Copyright Protected. Not to be shared without written permission.