

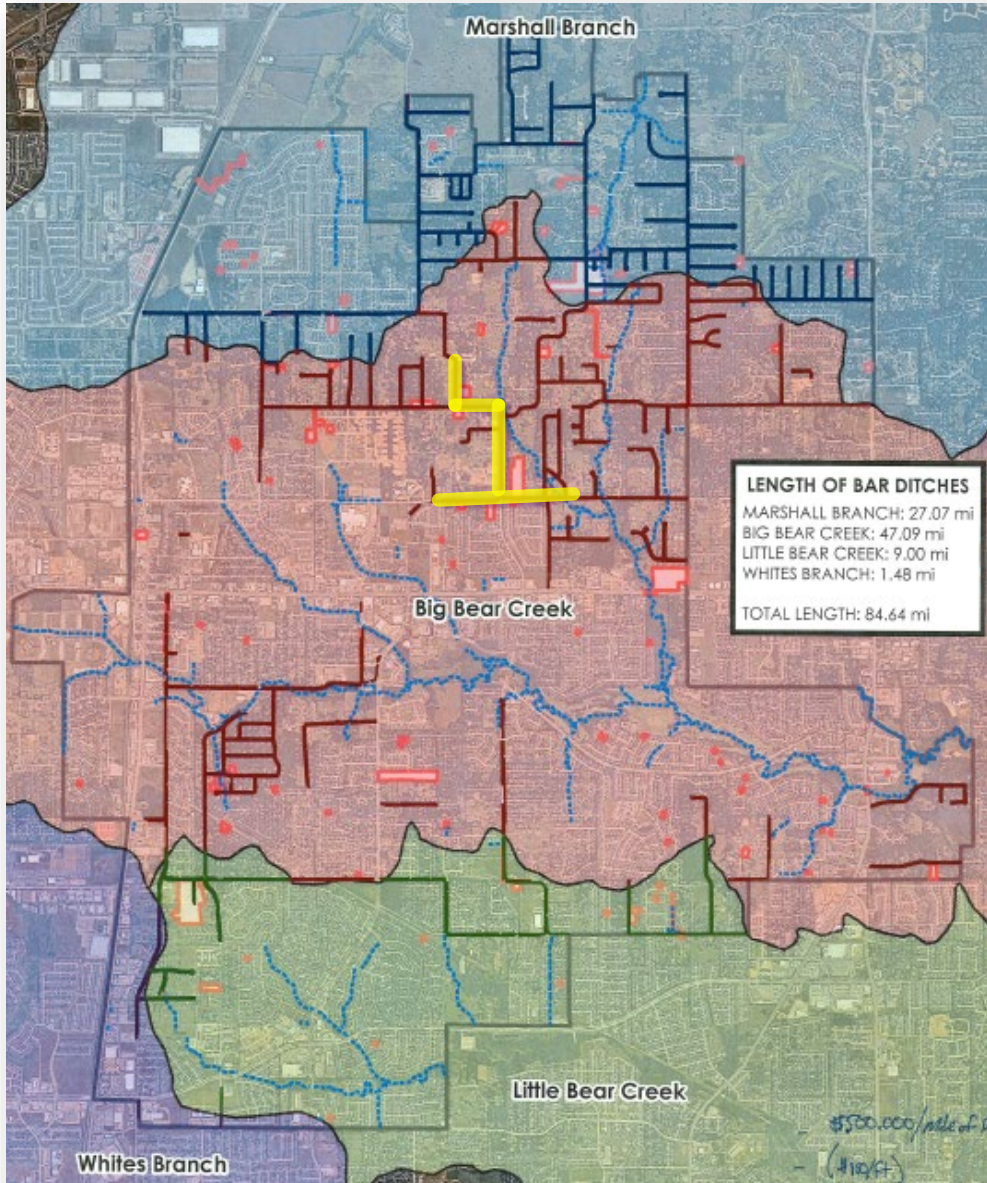
Bar Ditch Maintenance Project Update

Alonzo Liñán, PE, PTOE
Public Works Director
November 2, 2021

Agenda

- Current Bar Ditch Maintenance Plan
- Recent Bar Ditch Work
- Resulting Questions
- Next Steps



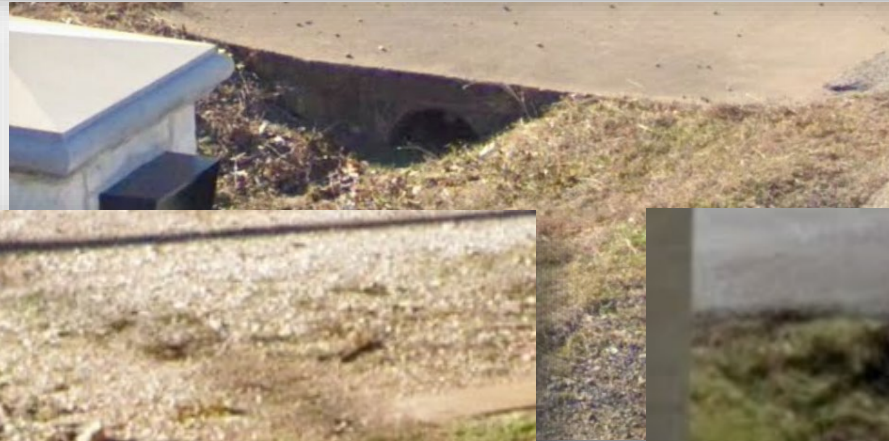


- Identify all streets without curb & gutter
 - 84.5 miles (27/47/9/1.5)
- Cost to “Restore”
 - \$100/linear foot
- Mt Gilead from Liberty Hills to Bancroft
 - ~2,500ft @ ~\$250,000
- Keller Smithfield from Bancroft to Ottinger
 - ~2,500ft @ ~\$250,000
- Keller Smithfield from Ottinger to Johnson Rd
 - ~3,300ft @ ~\$330,000



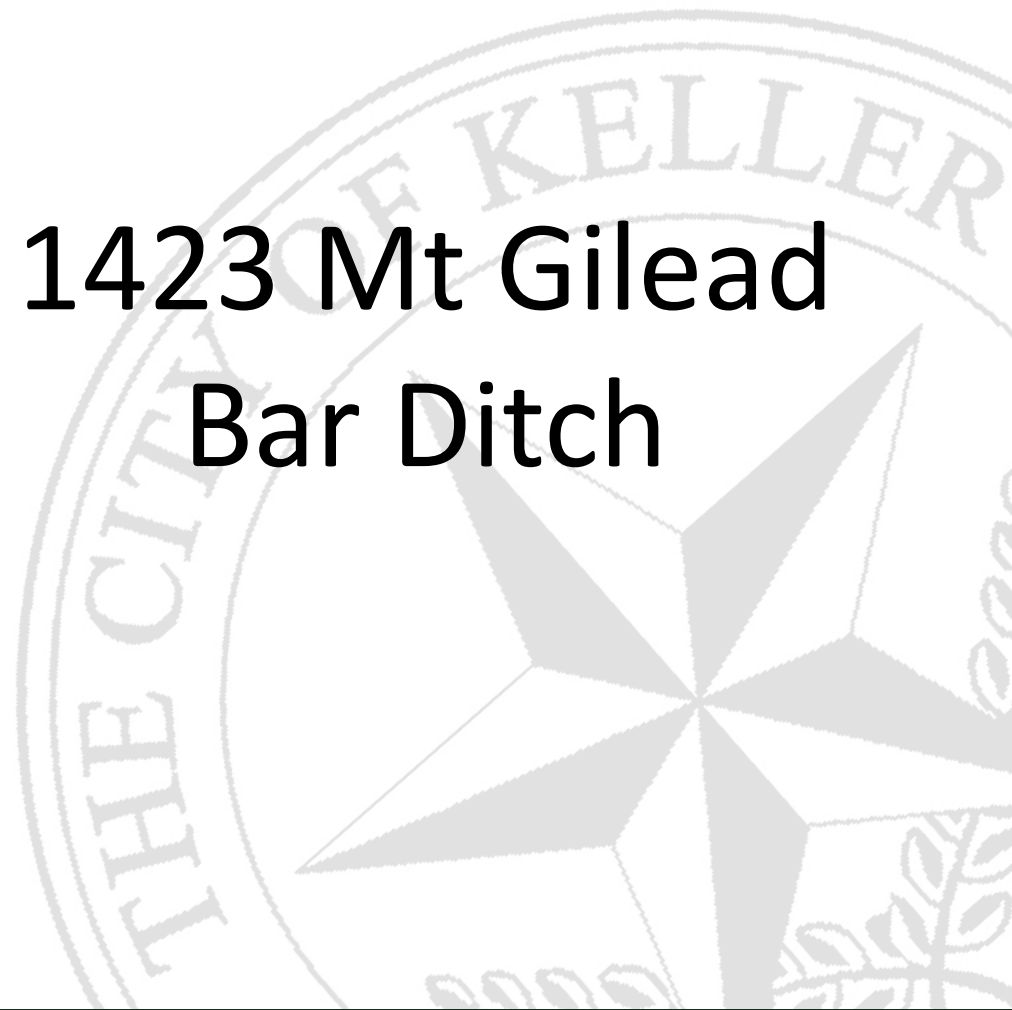
Google

Excellence • Integrity • Service • Creativity • Communication

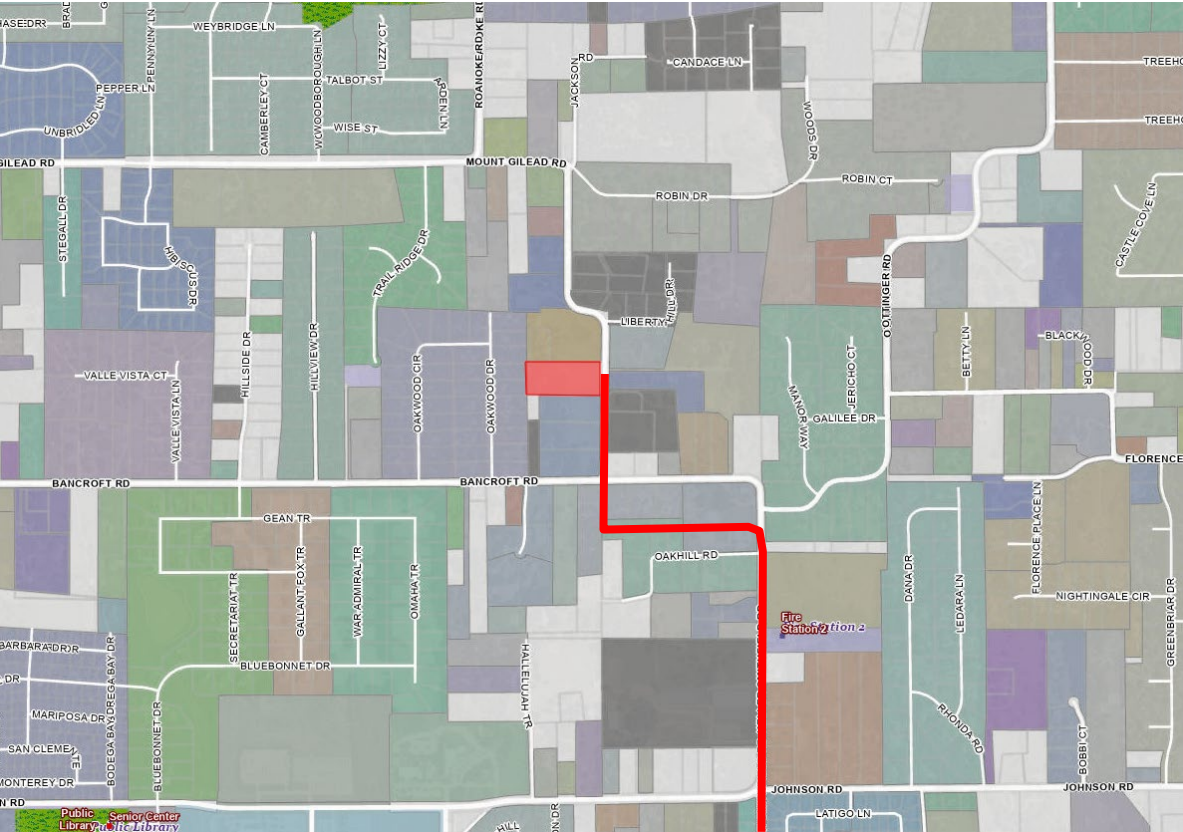




1423 Mt Gilead Bar Ditch



1423 Mt Gilead Bar Ditch

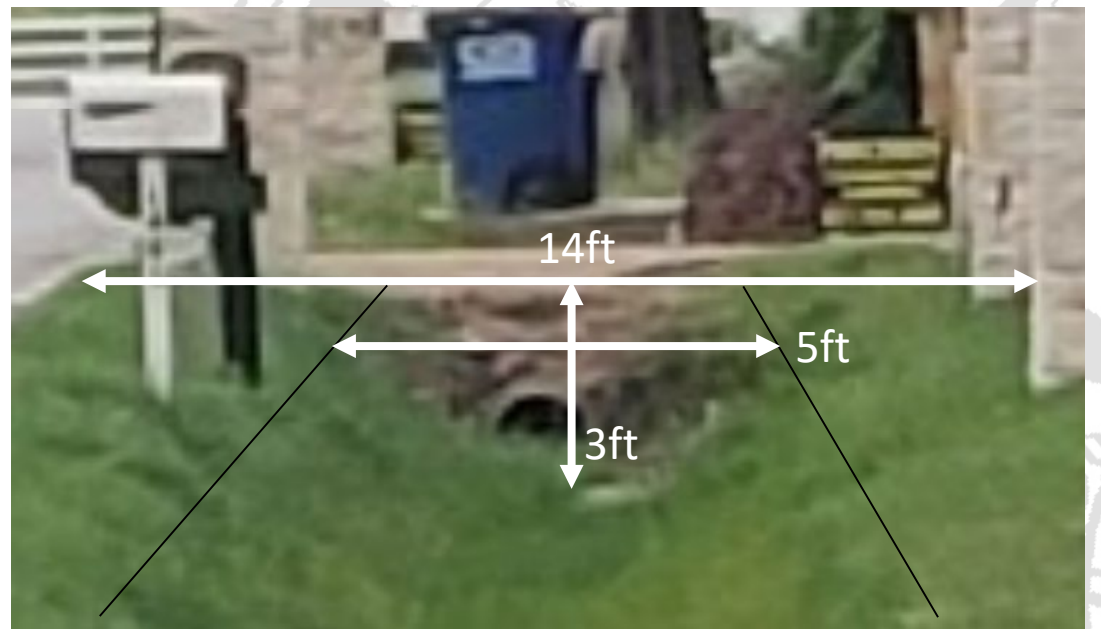


1423 Mt Gilead Bar Ditch - Before



1423 Mt Gilead Bar Ditch - After





1423 Mt Gilead Bar Ditch - After

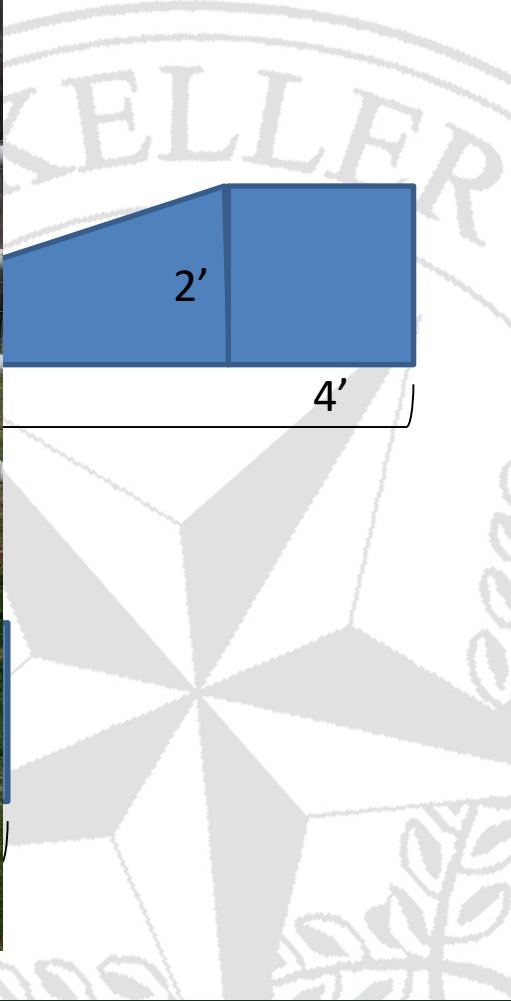


Challenges

1:3 slope is sustaining

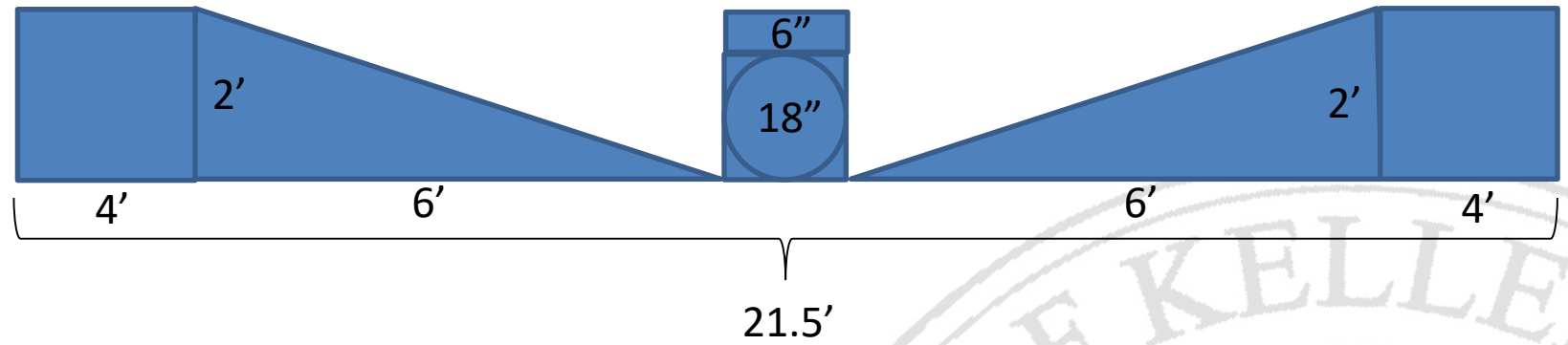
Lateral Distanc
to work with

Absent Suffic
Space

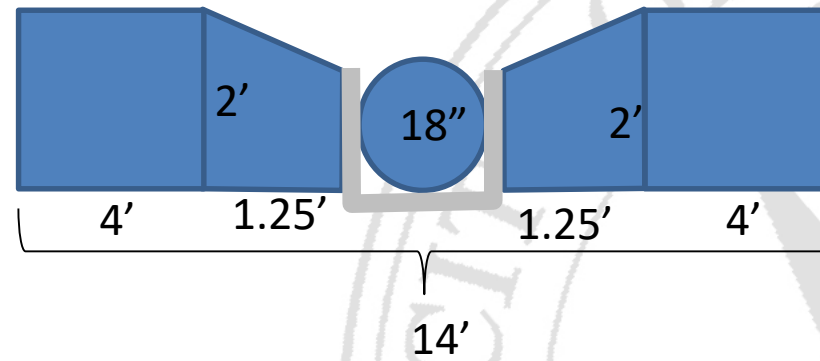


Options (math)

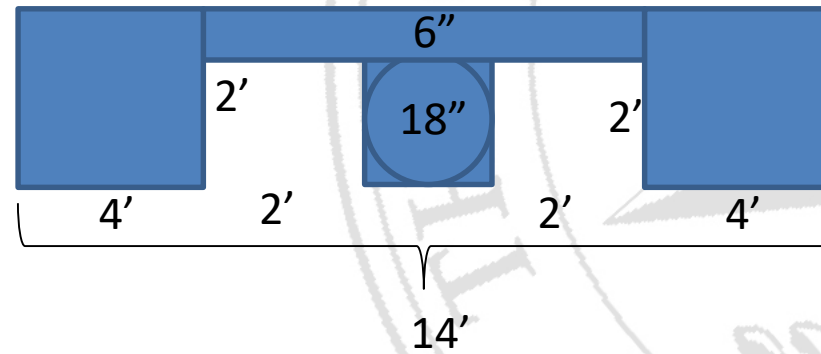
Obtain the full space needed



Install a flume



Cover it with intermittent Stormwater inlets



Options (photos)

Obtain the full
space needed

(Insert Photo)

Install a flume

(Insert Photo)

Cover it with
intermittent
Stormwater inlets

(Insert Photo)



Expected Outcomes

- Drainage
- Maintenance / “Deep Ditch”
- Mailbox Access
- Trash Bin Location





Questions?

Alonzo Liñán, PE, PTOE

alinan@cityofkeller.com
817-743-4081

Excellence • Integrity • Service • Creativity • Communication

