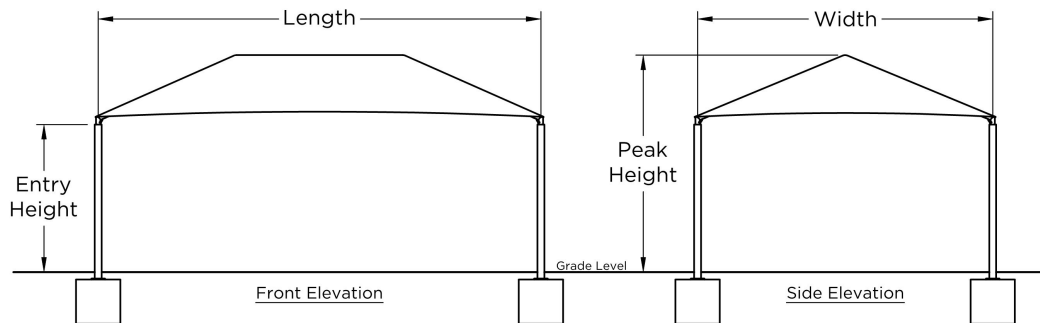
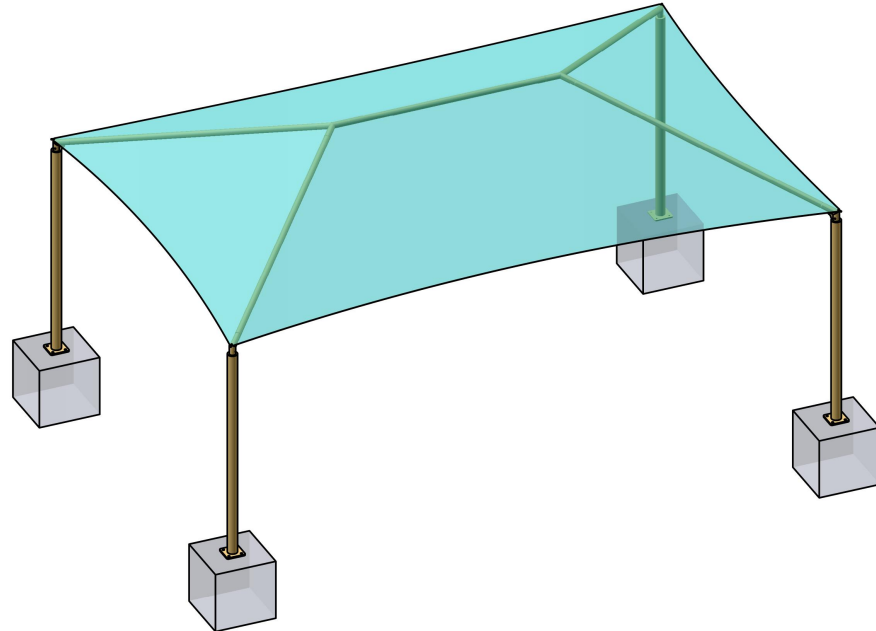


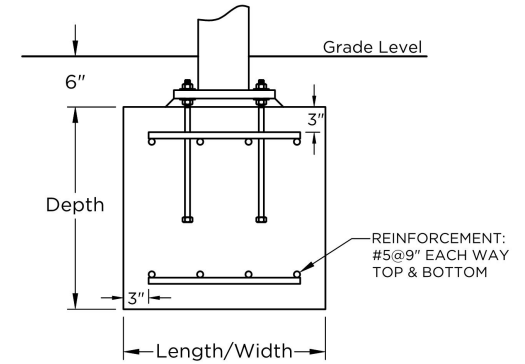
Keller Sports Park Opt. 2

Hip Shade

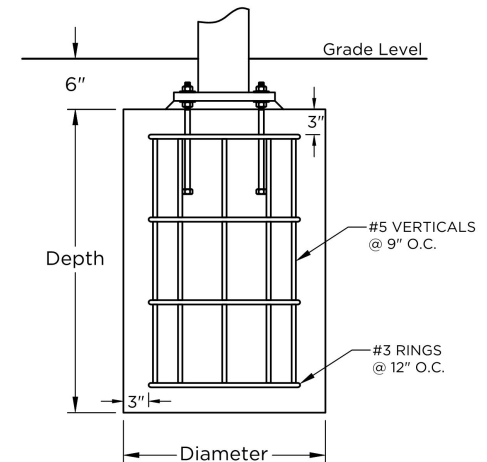
Length	50'	Width	34'	Entry Height	14'
Peak Height	20.86'	Elbow	Standard	Column Mount	Base Plate
Column Size	12"x12"x1/4"	Rafter Size	7"x5"x3/16"	Ridge Size	7"x5"x3/16"
Column Length	14.5'	Rafter Length	24.17'	Ridge Length	18.5'
Dome Qty.	1	Column Qty.	4		



Square Footing		
Column	Length & Width	Depth
Single Cap	6.24	3
Double Cap	N/A	3



Auger Footing		
Diameter	Single Cap Depth	Double Cap Depth
1'-6"		
2'-0"	Out of range	N/A
2'-6"	Out of range	N/A
3'-0"	13.22	N/A



QUOTE

SHADE SIZE

SHADE STYLE

50 X 34

Hip Shade

These drawings are for reference only and should not be used as construction details. They show the general character and rough dimensions of the structural features. Exact spans, fasteners, materials, and foundations can be determined by a licensed professional engineer upon request. Estimated footing size above is based on 1,500 PSF soil bearing pressure.

For illustration purposes only. COLORS TBD. Copyright Protected. Not to be shared without written permission.

www.theplaygrounddepot.com
(855) 585-INFO