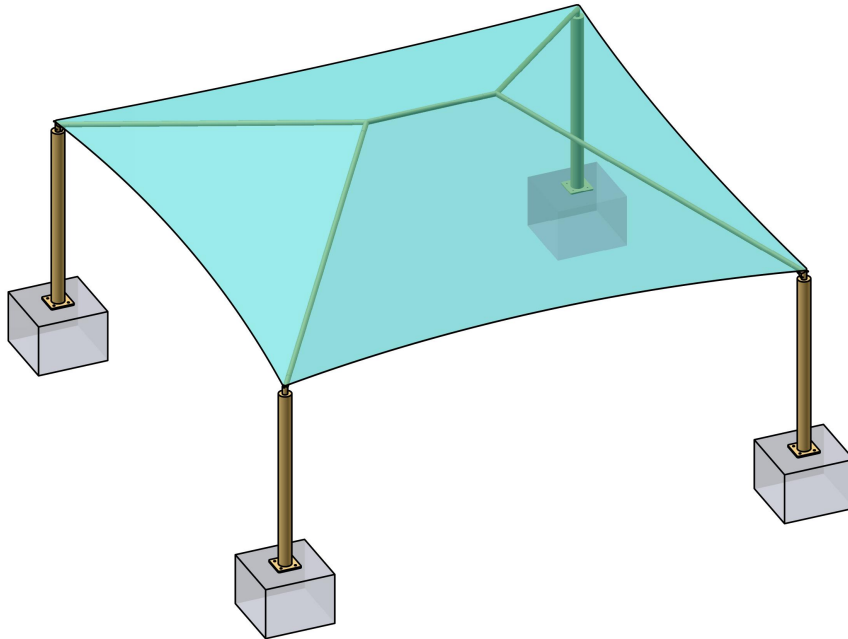


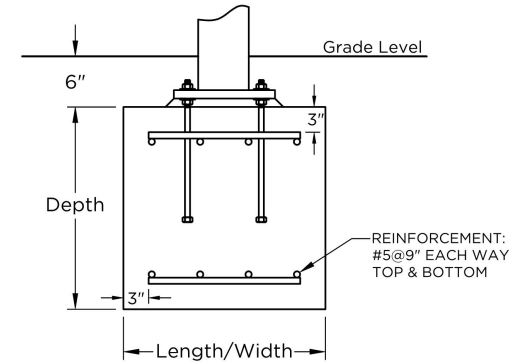
Keller Sports Park 2-5 Soccer Area Hip Shade

Hip Shade

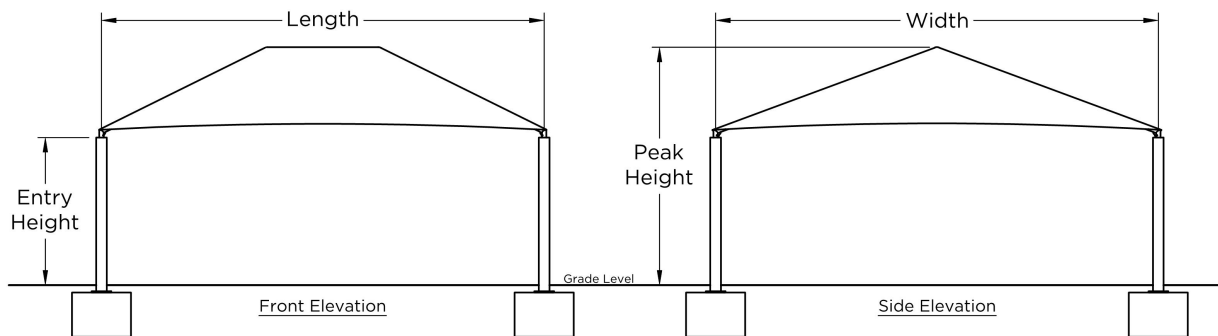
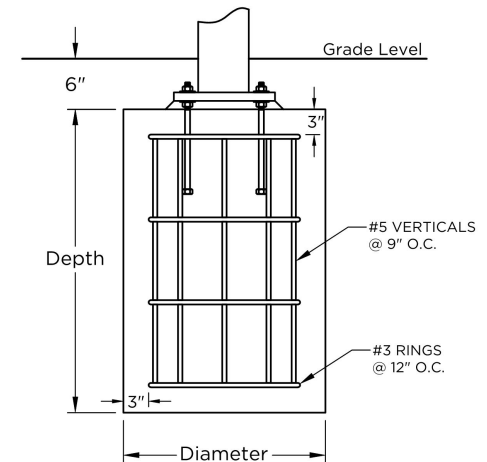
Length	38'	Width	38'	Entry Height	11'
Peak Height	18.04'	Elbow	Standard	Column Mount	Base Plate
Column Size	Ø8.6" Sch-40	Rafter Size	7"x5"x3/16"	Ridge Size	7"x5"x3/16"
Column Length	11.5'	Rafter Length	24.77'	Ridge Length	9.5'
Dome Qty.	1	Column Qty.	4		



Square Footing		
Column	Length & Width	Depth
Single Cap	5.14	3
Double Cap	N/A	3



Auger Footing		
Diameter	Single Cap Depth	Double Cap Depth
1'-6"		
2'-0"	Out of range	N/A
2'-6"	Out of range	N/A
3'-0"	8.98	N/A



QUOTE

88560

SHADE SIZE

38 X 38

SHADE STYLE

Hip Shade

These drawings are for reference only and should not be used as construction details. They show the general character and rough dimensions of the structural features. Exact spans, fasteners, materials, and foundations can be determined by a licensed professional engineer upon request. Estimated footing size above is based on 1,500 PSF soil bearing pressure.

For illustration purposes only. COLORS TBD. Copyright Protected. Not to be shared without written permission.