

To,

City of Keller
Planning and Development
1100 Bear Creek Pkway,
Keller TX 76248

Date : 3/13/2020

Subject: Request for Specific use permit (SUP)

Dear Sir/ Madam,

My name is Rakesh Basnet. I am the business owner of the " Daily Stop" Shell Station located at 797 Keller Parkway, Keller, Texas 76248. We are requesting a SUP permit for the above location to add a U-Haul drop off location. This drop- off facility will be available to the public from 7 AM to 8 PM regularly. When needed this location will only be holding 5 U-Haul trucks at the maximum. Also, we would not park any big tuck at the front of the store.

Adding this service will provide convenience to the resident of Keller living around the store. Also, it will add 2-3 new employment and will increase customers to my and other businesses around.

We have reached out to other business and residents living around the store to make sure they have no issues regarding us adding the U-Haul drop off location, please see the attached signature of approval.

Thank you for your consideration, and please let me know if you have any questions.

Sincerely,

Rakesh Basnet

682.226.0592



8 FT PICKUP TRUCK
Inside 7'10" x 5'2" x 1'9"
Weight: 4,703 lbs.



15 FT TRUCK
inside 15' x 7'8" x 7'2"
Weight: 8,115 lbs.



9 FT CARGO VAN
INSIDE 9'6" x 5'7" x 4'8"
Weight: 4,667 lbs.



20 FT TRUCK
INSIDE 19'6" x 7'8" x 7'2"
Weight: 8,800 lbs



10ft Moving Truck
inside: 9'11" x 6'4" x 6'2"
Weight: 5,790 lbs.



4X8 CARGO TRAILER
weight: 850 lbs



**5x9 Utility Trailer Rental
with Ramp**
weight: 1,240 lbs



5X8 CARGO TRAILER
weight: 900 lbs.



4 X 7 UTILITY TRAILER
weight: 630 lbs.

**Auto Transport /
Vehicle Trailer Rental**
weight: 2,210 lbs.

Motorcycle Trailer Rental
weight: 800 lbs.

26ft Moving Truck Rental

Select Equipment

26' Truck



Pick Up Location*

Zip or City, State

Drop Off Location (Optional)

Optional

Pick Up Date*

mm/dd/yyyy



Get Rates

[Instruction Manual](#)

About this 26' Truck

Our 26ft moving truck rental is the largest truck available for moving. Large families use this truck to move large, 3-5 bedroom homes. This truck is equipped with a low deck and EZ-Load ramp, making it easier to load and unload your truck. You can easily fit 3 king-sized mattresses with box sets, nightstands, dressers, a sectional sofa, a recliner, a coffee table, an office desk, and both kitchen and a washer and dryer in our 26ft moving truck. Meanwhile, store your fragile items, glass and ceramic items, safely in Mom's Attic to protect them from any shifting cargo. If you find yourself needing more space to move you can attach a U-Haul Trailer for extra cargo room.

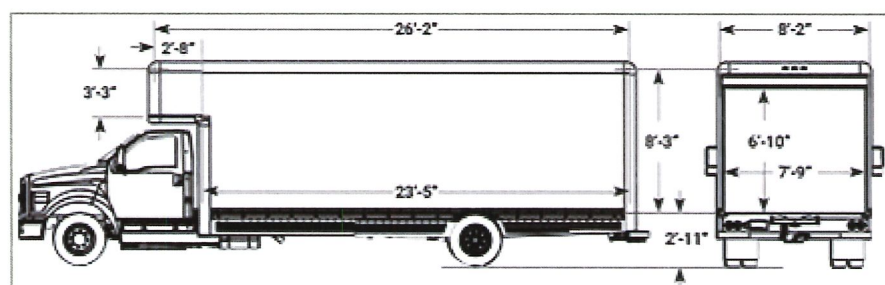
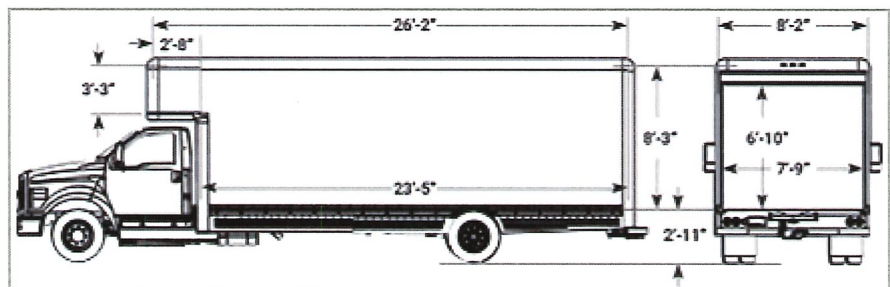


How big is a 26' truck?



- Inside Dimensions: 26'2" x 8'2" x 8'3" (LxWxH)
- Mom's Attic: 2'8" x 8'2" x 3'3" (LxWxH)
- Deck Height from Ground: 2' 11" Length 23'5"
- Door Opening: 7'9" x 6'10" (WxH)
- Loading Ramp Width: 2' 7"
- Max Load: 9,010 lbs.
- **Gross Vehicle Weight: 25,999 lbs. max.**
- Empty Weight: 12,990 lbs.
- Towing Capacity: Up to 7,500 lbs.
- Volume: 1,682 cu. ft.

- Inside Dimensions: 26'2" x 8'2" x 8'3" (LxWxH)
- Mom's Attic: 2'8" x 8'2" x 3'3" (LxWxH)
- Deck Height from Ground: 2' 11" Length 23'5"
- Door Opening: 7'9" x 6'10" (WxH)
- Loading Ramp Width: 2' 7"
- Max Load: 9,010 lbs.
- Gross Vehicle Weight: 25,999 lbs. max.
- Empty Weight: 12,990 lbs.
- Towing Capacity: Up to 7,500 lbs.
- Volume: 1,682 cu. ft.



What fits in a 26' truck?

- Up to 1,682 cu. ft.
- 3 to 4 Bedroom Home



What is the gas mileage of a 26' truck?



- Fuel type: Unleaded
- MPG: 10*

20ft Moving Truck Rental

Select Equipment

20' Truck



Pick Up Location*

Zip or City, State



Drop Off Location (Optional)

Optional

Pick Up Date*

mm/dd/yyyy



Get Rates

[Instruction Manual](#)

About this 20' Truck

Growing families use our 20ft moving truck when moving into a larger home. This truck is ideal for 2-3 bedroom homes or large apartments. Easily load up to two king size mattresses, a crib, tall or short dressers, a sectional sofa, a coffee table, end tables, and a 6-person dining table with chairs and you'll still have plenty of room for boxes filled with other household items. Store your fragile items, like dishes or vases, safely away in Mom's Attic to protect them from any shifting cargo.

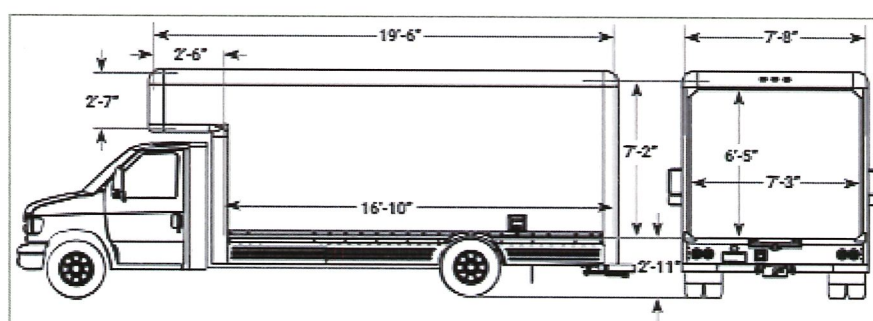
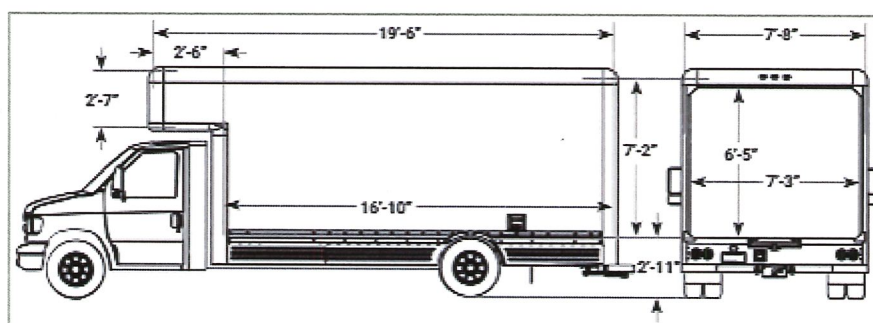


How big is a 20' truck?



- Inside Dimensions: 19'6" x 7'8" x 7'2" (LxWxH)
- Mom's Attic: 2'6" x 7'8" x 2'7" (LxWxH)
- Deck Height from Ground: 2'11"
- Door Opening: 7'3" x 6'5" (WxH)
- Max Load: 5,700 lbs.
- **Gross Vehicle Weight: 14,500 lbs. max.**
- Empty Weight: 8,800 lbs.
- Towing Capacity: Up to 7,500 lbs.
- Volume: 1,016 cu. ft.

- Inside Dimensions: 19'6" x 7'8" x 7'2" (LxWxH)
- Mom's Attic: 2'6" x 7'8" x 2'7" (LxWxH)
- Deck Height from Ground: 2'11"
- Door Opening: 7'3" x 6'5" (WxH)
- Max Load: 5,700 lbs.
- Gross Vehicle Weight: 14,500 lbs. max.
- Empty Weight: 8,800 lbs.
- Towing Capacity: Up to 7,500 lbs.
- Volume: 1,016 cu. ft.



What fits in a 20' truck?

- Up to 1,016 cu. ft.
- 2 Bedroom Home - 3 Bedroom Apartment



What is the gas mileage of a 20' truck?



- Fuel type: Unleaded
- Fuel tank capacity: 40 gal.
- MPG: 10*

[Back To Top](#)

17ft Moving Truck Rental

Select Equipment

17' Truck



Pick Up Location*

Zip or City, State



Drop Off Location (Optional)

Optional

Pick Up Date*

mm/dd/yyyy



[Get Rates](#)

[Instruction Manual](#)

About this 17' Truck

Our 17ft moving truck is most commonly used for moving larger apartments and condos. You can easily fit up to two king-sized bed sets, 3 seater sofa, love seat, coffee table, 4 person dining table with chairs, and a TV stand in this spacious truck. Store your fragile items, like your picture frames and dishes, safely away in Mom's Attic to protect them from any shifting cargo.

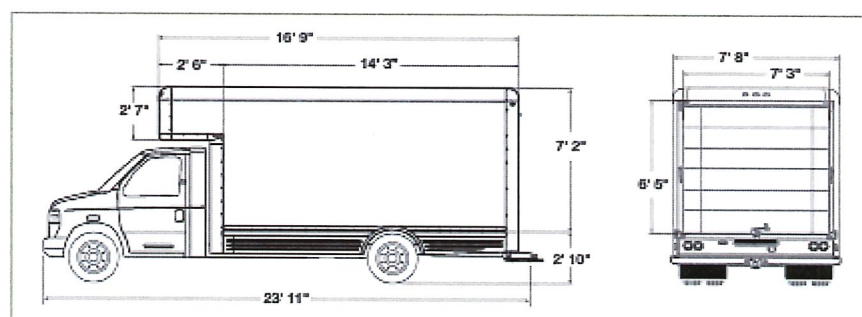
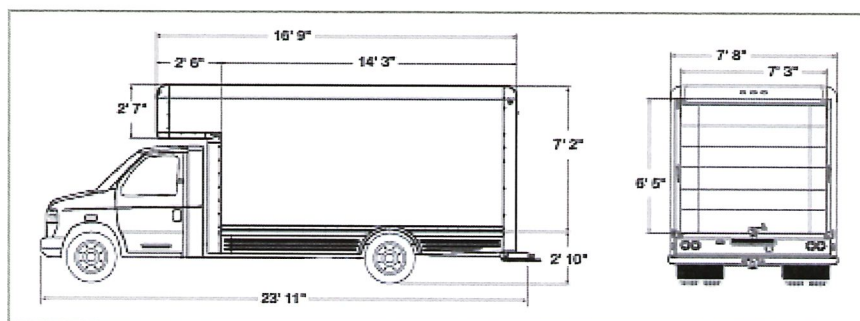


How big is a 17' truck?



- Inside Dimensions: 16'9" x 7'8" x 7'2" (LxWxH)
- Mom's Attic: 2'6" x 7'8" x 2'7" (LxWxH)
- Deck Height from Ground: 2'10"
- Door Opening: 7'3" x 6'5" (WxH)
- Loading Ramp Width: 2'2"
- Max Load: 6,160 lbs.
- **Gross Vehicle Weight: 14,500 lbs. max.**
- Empty Weight: 8,340 lbs.
- Towing Capacity: Up to 10,000 lbs.
- Volume: 865 cu. ft.

- Inside Dimensions: 16'9" x 7'8" x 7'2" (LxWxH)
- Mom's Attic: 2'6" x 7'8" x 2'7" (LxWxH)
- Deck Height from Ground: 2'10"
- Door Opening: 7'3" x 6'5" (WxH)
- Loading Ramp Width: 2'2"
- Max Load: 6,160 lbs.
- Gross Vehicle Weight: 14,500 lbs. max.
- Empty Weight: 8,340 lbs.
- Towing Capacity: Up to 10,000 lbs.
- Volume: 865 cu. ft.



What fits in a 17' truck?

- Up to 865 cu. ft.
- 2 Bedroom Home



What is the gas mileage of a 17' truck?



- Fuel type: Unleaded
- MPG: 10*
- Fuel tank size: 40 gallons

15ft Moving Truck Rental

Select Equipment

15' Truck



Pick Up Location*

Zip or City, State

Drop Off Location (Optional)

Optional

Pick Up Date*

mm/dd/yyyy



Get Rates

[Instruction Manual](#)

About this 15' Truck

Our 15ft moving truck is most commonly used for moving 2 bedroom apartments and condos. The 15ft truck comes with a low deck & EZ load ramp to make loading and unloading your truck easier. You can easily load a king size mattress, washer and dryer, fridge, tall or short dressers, and a 3 seater sofa in this spacious truck. Store your boxes with fragile items, like picture frames or vases, safely away in Mom's Attic to protect them from any shifting cargo.

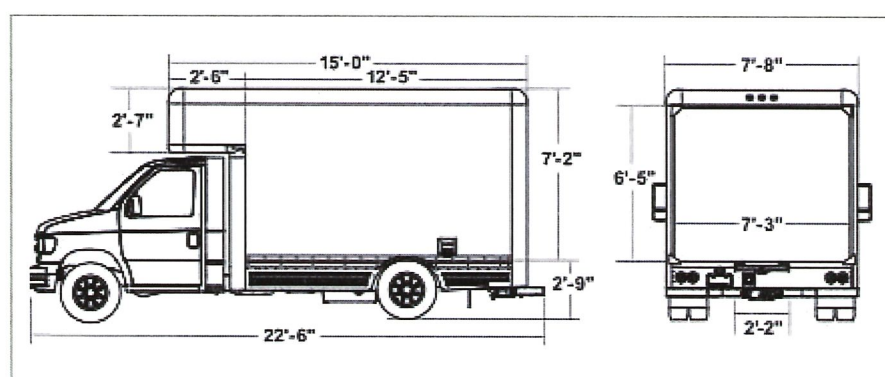
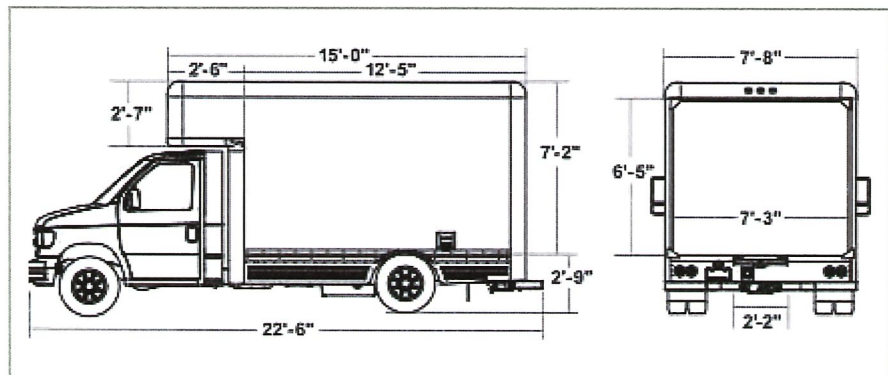


How big is a 15' truck?



- Inside Dimensions: 15' x 7'8" x 7'2" (LxWxH)
- Mom's Attic: 2'6" x 7'8" x 2'7" (LxWxH)
- Deck Height from Ground: 2'10"
- Door Opening: 7'3" x 6'5" (WxH)
- Loading Ramp Width: 2'2"
- Max Load: 6,385 lbs.
- **Gross Vehicle Weight: 14,500 lbs. max.**
- Empty Weight: 8,115 lbs.
- Towing Capacity: Up to 10,000 lbs.
- Volume: 764 cu. ft.

- Inside Dimensions: 15' x 7'8" x 7'2" (LxWxH)
- Mom's Attic: 2'6" x 7'8" x 2'7" (LxWxH)
- Deck Height from Ground: 2'10"
- Door Opening: 7'3" x 6'5" (WxH)
- Loading Ramp Width: 2'2"
- Max Load: 6,385 lbs.
- Gross Vehicle Weight: 14,500 lbs. max.
- Empty Weight: 8,115 lbs.
- Towing Capacity: Up to 10,000 lbs.
- Volume: 764 cu. ft.



[Back To Top](#)



What fits in a 15' truck?



What is the gas mileage of a 15' truck?



10ft Moving Truck Rental

Select Equipment

10' Truck

Pick Up Location*

Zip or City, State

Drop Off Location (Optional)

Optional

Pick Up Date*

mm/dd/yyyy

Get Rates



[Instruction Manual](#)

About this 10' Truck

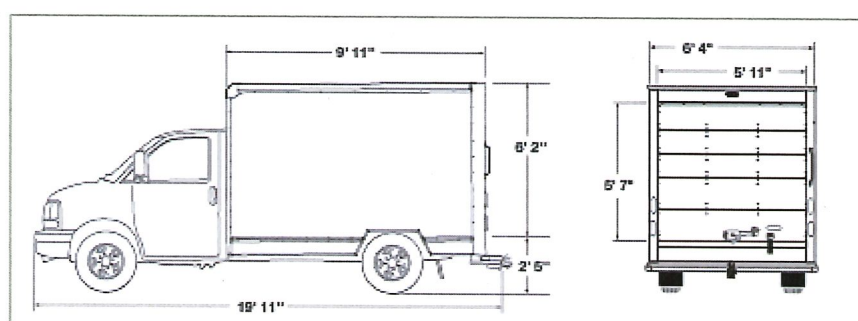
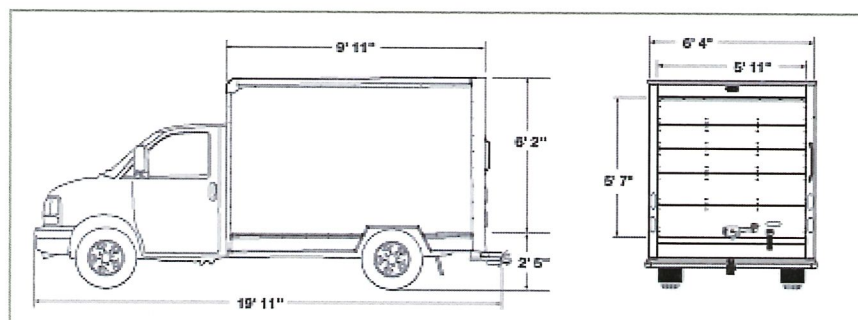
Our 10ft moving truck (the smallest truck you can also tow your car behind) is used by customers who are moving a studio or 1 bedroom apartment. The 10ft truck is our smallest box truck rental available for long distance One-Way moves and local In-Town moves. The 10ft moving truck can easily fit a king sized bed, frame, loveseat, two end tables, and a four piece dining room table with spare room for boxes filled with household items.



How big is a 10' truck?



- Inside Dimensions: 9'11" x 6'4" x 6'2" (LxWxH)
- Deck Height from Ground: 2'5"
- Door Opening: 5'11" x 5'7" (WxH)
- Max Load: 2,850 lbs.
- Gross Vehicle Weight: 8,600 lbs. max.
- Empty Weight: 5,790 lbs.
- Towing Capacity: Up to 6,000 lbs.
- Volume: 402 cu. ft.
- Loading ramp: None



What fits in a 10' truck?

- Up to 402 cu. ft.
- Small Apartment to 1 Bedroom Home
- King Size Mattress with Box Springs and Frame



What is the gas mileage of a 10' truck?



- Fuel type: Unleaded
- MPG: 12*
- Fuel tank size: 33 gallons