



Contract Number: 723-23 Date: 7-2-2024

Contractor: Volvo & Mack Trucks of Waco

(VED Heritage Properties, LTD)

Prepared By: Justin Clark

Phone: (254) 662-0911

Email: jclark@volvomackwaco.com

Fax: (254) 662-0558

Buying Agency:	City of Keller
Contact Person:	Will Richards
Phone:	817-996-7728
Fax:	
Email:	wrichards@cityofkeller.com

NEW Volvo VNR dump truck

Product Description:	Volvo VNR, Item No 217	PO Number:	
A. Product Item Unit Price			\$23,900
B. Published Options - Itemized Below			
Description	Cost	Description	Cost
Volvo D11 355 HP	\$22,500.00	11R22.5 front tire	\$3,995.00
Allison 3000RDS 6 speed	\$22,900.00	11R22.5 rear tires	\$4,700.00
Volvo 14.6K front axle	\$15,900.00		
Rear suspension - Volvo T ride 2 leaf (40K)	\$29,995.00		
100 gallon LH tank	\$1,500.00		
196" wheelbase	\$19,995.00		
11.81"X3.54"X.38" frame strength (2,460,000 RBM)	\$22,500.00		
Locking differential	\$3,999.00		
Meritor 40k rear axle	\$22,500.00	DISCOUNT	-\$51,550.00
2025 year model increase	\$8,900.00		
**see attached specs for full details		Subtotal From Additional Sheet(s):	
		Subtotal B:	\$127,834.00
C. Body Options & Unpublished Options - Itemized Below			
Description	Cost	Description	Cost
14' dump bed - Warren, AR450	\$21,500.00	vibrator	\$1,100.00
Electric tarp	\$1,800.00	power and beyond hydraulics	\$2,400.00
3 coal doors	\$8,000.00		
Strobe lights, STT/ backup in rear, 30 gallon side mount tank	\$2,291.00	Subtotal From Additional Sheet(s):	
tow package, side mount tank, 8" push apron	\$3,375.00	Subtotal C:	\$40,466.00
D. Total Cost Before Any Applicable Trade-In/Other Allowances/Discounts (A+B+C)			
Quantity Ordered	1	Subtotal of A+B+C	\$192,200.00
		Subtotal D:	\$192,200.00
E. Buyboard Fee (From Fee Schedules, Table)			Subtotal E:
			\$400.00
F. Trade-Ins/Special Discounts/Other Allowances/Freight/Miscellaneous Charges			
Description	Cost	Description	Cost
		Subtotal F:	\$0.00
Delivery Date:	Q4 2024 - Q1 2025	G. Total Purchase Price (D+E+F)	\$192,600.00

PLEASE EMAIL A COPY OF THE QUOTE AND PO TO INFO@BUYBOARD.COM



On behalf of Volvo Trucks and your partnering dealer, thank you for the opportunity to provide you with a quote!

PREPARED FOR
CITY OF KELLER
1100 BEAR CREEK PKWY
KELLER
TX 762482114

DATE

7/8/2024

PREPARED BY
VED HERITAGE PROPERTIES, LTD
1287 SUN VALLEY RD
ROBINSON
TX 767068805

QUOTE INFORMATION

WACO20240000375482D
VNR64300 Daycab - 113.5" BBC
Qty: 1

This proposal outlines the complete vehicle specification and performance details that have been customized to drive greater success for you and your business operations. The enclosed spec represents a solution that optimizes fuel efficiency, enhances driver productivity, provides peace of mind through our industry-leading active and passive safety features – all while ensuring your uptime to ultimately support your customers.

By partnering with your dealer and Volvo Trucks, you will benefit from innovative technologies that are incorporated in everything we do – from our powertrain components to connectivity solutions. We take our role as your business partner very seriously and appreciate the opportunity to support you with products and services that we hope will exceed your expectations. Our mission is to provide you with trucks and solutions that you can count on to help you be more successful and that you will be proud to own and operate.

Our responsibility doesn't stop when we hand over the keys. In fact, this is just the beginning of a great and close partnership. Just as you work hard to deliver to your customers, we will work hard to deliver on our promises to you.

As you review this proposal, please note any questions you may have so we can discuss them together. We hope you feel comfortable placing your trust in us, and look forward to doing business with you!

Sincerely,

JUSTIN CLARK

VED HERITAGE PROPERTIES, LTD

TECHNICAL SPECIFICATION

VNR64300 Daycab - 113.5" BBC

				WEIGHT (LB)	
MODEL PACKAGE		DESCRIPTION		FRONT	REAR
S	AAX04X	PRODUCT GENERATION	LEGACY HEAVY TRUCKS	0	0
S	012337	MARKETING MODEL	VNR64300	0	0
S	99X76X	MANUFACTURING LOCATION	VOLVO TRUCKS - ASSEMBLED IN THE USA	0	0
S	007337	00 MODEL	VNR64300	7,699	4,141
	DDX15X	CHASSIS TYPE	TRUCK	0	0
	CDX15X	MODEL SERIES	VNR Models - 113.5" BBC	0	0
	M84043	INTENDED REGISTRATION LOCATION	TEXAS	0	0
	MBT09T	VEHICLE CERTIFICATION	EPA (ONLY) FOR VOLVO 11L / 13L DIESEL	0	0

				WEIGHT (LB)	
VEHICLE ADAPTATION		DESCRIPTION		FRONT	REAR
	M46002	DEALERSHIP REGION	SOUTH-WEST REGION	0	0
S	36XF1X	LANGUAGE ON DECALS	ENGLISH/SPANISH LANGUAGE ON DECALS	0	0
S	38XCNX	OPERATOR'S MANUAL LANGUAGE	ENGLISH	0	0
	263206	VEHICLE APPLICATION	TRUCK / ASPHALT OR DUMP BODY	0	0
	DKXG2X	GROSS COMBINATION WEIGHT	80,000 LBS/36,000 KG (36 TONNES) GROSS COMBINATION WEIGHT	0	0
	2KEC1X	TRAILER TYPE	FIXED DRAWBAR TRAILER AND CENTERED AXLES	0	0
S	898002	VEHICLE WARRANTY QUALIFICATION	STANDARD NORMAL DUTY WARRANTY QUALIFIED	0	0
S	259002	VEHICLE VOCATION	PICKUP & DELIVERY / SHORT HAUL SERVICE	0	0
S	260006	OPERATING CONDITIONS	ON HIGHWAY, STARTING GRADES <16%	0	0
S	QCXA1X	TOPOGRAPHY	MOSTLY FLAT, MOST GRADES <3% (EX. OHIO)	0	0
S	E1BD1X	AMBIENT TEMPERATURE UPPER LIMIT	SUMMER AMBIENT TEMPERATURES DO NOT REGULARLY EXCEED 104 DEGREE F (40 DEGREE C)	0	0
S	264001	LOADING SURFACE FACTOR	CONCRETE LOADING AND / OR UNLOADING SURFACE	0	0
S	DHX10X	OPERATING CLASS	OPERATING CLASS ONE (ON HIGHWAY)	0	0
	938002	CUSTOMER FLEET SIZE	REGIONAL FLEET 25 OR MORE VEHICLES IN OWN FLEET OF ANY VEHICLE BRAND	0	0

				WEIGHT (LB)	
PASSIVE AND ACTIVE SAFETY		DESCRIPTION		FRONT	REAR
	2CXD3X	CAB TYPE	300 - DAY CAB WITH B-PILLAR EXHAUST	25	20
S	DUXA1X	SRS AIR BAG	AIR BAG, BASIC CONFIGURATION	0	0
S	43X40X	AUXILIARY DOWN VIEW MIRROR	DOWN VIEW MIRROR OVER PASSENGER DOOR	0	0
S	ZMXA1X	ELECTRONIC STABILITY CONTROL (ESP)	VOLVO ENHANCED STABILITY TECHNOLOGY (VEST)	0	0
S	WPXB1X	ABS TRACTION CONTROL	6 CHANNEL TRACTION CONTROL WITH LIMITED DISABLE	0	0
	5RXA1X	BACKUP ALARM	ELECTRIC BACKUP ALARM	0	3
S	3MBA1X	PARK BRAKE ALARM	PARK BRAKE ALARM, SOUNDS IF BRAKE OFF AND DRIVER'S DOOR OPENED	0	0

				WEIGHT (LB)	
ENGINE		DESCRIPTION		FRONT	REAR
	1018P1	ENGINE PACKAGE	VOLVO D11 355HP 2100RPM 1250 LBFT - EPA'21 EMISSION LEVEL	0	0

TECHNICAL SPECIFICATION *(cont.)*

				WEIGHT (LB)	
ENGINE EQUIPMENT			DESCRIPTION	FRONT	REAR
S	209012	RADIATOR COOLANT	EXTENDED LIFE ETHYLENE GLYCOL ANTI-FREEZE (RED-ORANGE), -34 F (-37 C)	0	0
S	208029	FAN CLUTCH PACKAGE	ELECTRONIC VISCOUS CSI FAN CLUTCH	0	0
S	NCXA5X	STARTER MOTOR	DELCO REMY 12V 39MTHD STARTER	0	0
S	PJXM3X	ALTERNATOR	165 AMP DELCO REMY 36SI ALTERNATOR WITH REMOTE BATTERY VOLTAGE SENSE (12V)	0	0
S	810113	BATTERY PACKAGE	3 VOLVO 760 CCA MAINTENANCE FREE 12V BATTERIES, 2280 CCA	36	12
S	L4X15X	BATTERY BOX MOUNTING	BATTERY BOX, LEFT HAND SIDE, BEHIND FRONT FENDER	0	0
S	NQXA1X	BATTERY BOX CONFIGURATION	BATTERY BOX - 4 CAPACITY	0	0
S	L5XA1X	BATTERY BOX COVER	BASIC BATTERY BOX COVER	0	0
S	NFXA0X	BATTERY DISCONNECT SWITCH	MANUAL BATTERY DISCONNECT MAIN SWITCH	0	0
S	428001	DIESEL EXHAUST FLUID TANK	18.5 GALLON LEFT HAND 26", FRAME MOUNTED (FILLED WITH 10 GALLONS OF DEF, WEIGHING 91 LBS)	159	86
	230050	EXHAUST SYSTEM	INTEGRATED DPF AND SCR MOUNTED RIGHT HAND SIDE UNDER CAB, W CAB-MOUNTED VERTICAL PIPE FOR CALIFORNIA	0	0
	232088	EXHAUST OUTLET PACKAGE	10' 0" ALUMINIZED STAINLESS STEEL SINGLE STACK	0	0
	K0XC1X	EXHAUST FEATURES	STRAIGHT END EXHAUST STACK	0	0
S	KNXC1X	EXHAUST SHIELD	ALUMINUM EXHAUST SHIELD	0	0
S	JVXH1X	PRIMARY FUEL FILTER	VOLVO DUAL ENGINE MOUNTED FUEL FILTERS WITH WATER SEPARATOR	0	0
S	4SFB1X	OIL LIFE MONITORING SYSTEM	OIL LIFE MONITORING SYSTEM, PASSIVE	0	0
S	VWXCAx	COMPRESSOR	WABCO 31.8 CFM COMPRESSOR	0	0
S	J2EAAX	ENGINE BRAKE ACTIVATION	ENGINE BRAKE ACTIVATION, BASIC	0	0
S	QHXC1X	ENGINE OIL PAN	STAMPED STEEL OIL PAN (STANDARD OIL CHANGE INTERVALS)	0	0

				WEIGHT (LB)	
TRANSMISSION			DESCRIPTION	FRONT	REAR
	270762	TRANSMISSION PACKAGE	ALLISON 6 SPEED 3000 RDS SERIES WITH PTO PROVISION - SCAAN REQUIRED BEFORE ORDERING	-28	-8
	B1EC1X	TRANSMISSION AUTO NEUTRAL ON P-BRAKE	ALLISON AUTO NEUTRAL SINGLE INPUT WITH SHIFT SELECTOR OVERRIDE	0	0
S	4LDA1X	TRANSMISSION OUTPUT TORQUE	STANDARD OUTPUT TORQUE	0	0
	779002	ALLISON INPUT AND OUTPUT PACKAGE	ALLISON INPUT/OUTPUT PACKAGE 223B	0	0
	E1EIOX	ALLISON GPIO PACKAGE	ALLISON GPIO PACKAGE 223 ON/OFF HIGHWAY	0	0
	F5EA1X	PRESELECT GEAR IN ENG. BRAKE	ALLISON PRESELECTED GEAR DURING ENGINE BRAKING - FOURTH, STANDARD	0	0
	E5EAAX	PRIMARY CALIBRATION SHIFT MASK	PRIMARY CALIBRATION SHIFT SELECT MASK 6 SPEED, 1ST GEAR START	0	0
	E6EAAX	SECOND CALIBRATION SHIFT MASK	SECONDARY CALIBRATION SHIFT SELECT MASK 6 SPEED, 1ST GEAR START	0	0
S	778998	FUEL SENSE PACKAGE	NO FUEL SENSE PACKAGE	0	0
	258037	TRANSMISSION VOCATION CODE	STRAIGHT TRUCK DUMP TRUCK ON-HIGHWAY/NO PLOW (46-10-12)	0	0
	T2XD1X	TRANSMISSION COOLER	WATER TO OIL COOLER, ALLISON TRANS	0	0
	V1FA1X	TRANSMISSION DIPSTICK ACCESS	TRANSMISSION DIPSTICK ACCESS, UNDER HOOD	0	0
	195211	PROPSHAFT - MAIN	DANA/SPICER SPL170 (PROPS-S)	0	0
	THXC5X	DRIVELINE MANUFACTURER	PROP. SHAFT MANUF. BY SPICER SPL LIGHT SERIES	86	86
	MRP001	MINIMUM REQUIRED PROPSHAFT SIZE (KAX)	MINIMUM REQUIRED PROPSHAFT (KAX), PROPS-S	0	0
	204201	PROPSHAFT - INTERAXLE	DANA-SPICER SPL170XL EXTENDED LUBE SERIES	0	0

TECHNICAL SPECIFICATION *(cont.)*

				WEIGHT (LB)	
PROGRAMMABLE FEATURES		DESCRIPTION		FRONT	REAR
S	Y7BB1X	IDLE EMISSION LABEL LOCATION	CAB MOUNTED CLEAN IDLE DECAL LOCATION	0	0
S	A3AAAX	ENGINE IDLE AUTOMATIC SHUTDOWN (AL)	ENGINE IDLE SHUTDOWN, ENABLE	0	0
S	E0XFLX	ENGINE IDLE SHUTDOWN TIME (AM)	IDLE SHUTDOWN TIME 5 MINUTES	0	0
S	K7XA1X	ENGINE IDLE CONTROL (CMQ)	BASIC ENGINE IDLE CONTROL	0	0
S	D3AAEX	AMBIENT TEMP MAX THRESHOLD (CMO)	MAXIMUM AMBIENT AIR TEMPERATURE OVER-RIDE, 80 DEG F (27 DEG C)	0	0
S	D2AACX	AMBIENT TEMP MIN THRESHOLD (CMN)	MINIMUM AMBIENT AIR TEMPERATURE OVER-RIDE, 45 DEG F (7 DEG C)	0	0
S	JDXD1X	CRUISE CONTROL (AG)	WITH ECO CRUISE CONTROL	0	0
S	JFXLRX	CRUISE CONTROL, MAXIMUM SPEED (AI)	MAXIMUM CRUISE, 68 MPH (110 KM/H)	0	0
S	Y3CC5X	PEDAL ROAD SPEED LIMIT SETTING (P1116)	PEDAL ROAD SPEED LIMIT, 65 MPH (105 KM/H)	0	0
S	JCXF1X	ROAD SPEED LIMIT SETTING (P1AOC)	ROAD SPEED LIMIT, 68 MPH (110 KM/H)	0	0
S	E3AAFX	CRUISE CONTROL MIN SPEED (BK)	MIN CRUISE, 35 MPH (56 KM/H)	0	0
S	E5AAEX	ENG BRAKE ENGAGE IN CRUISE (AF)	ENGAGE ENGINE BRAKE 5 MPH (8.0 KM/H) ABOVE SET CRUISE SPEED	0	0
S	X2BA1X	ROAD SPEED LIMIT CONTROL TYPE (P1I01)	WITH ECO RSL CONTROL	0	0
S	0NAA1X	OPTIMIZED FUEL ECON INDICATOR (P1LXM)	OPTIMIZED FUEL ECONOMY INDICATOR, SWEET SPOT	0	0
S	X1BA1X	ENGINE LOAD IN PTO (CMM)	30% MINIMUM ENGINE LOAD LIMIT IN PTO BEFORE ALLOW IDLE SHUTDOWN	0	0
	W5BK1X	MAXIMUM ENGINE SPEED AT 0 MPH (P1ANA)	MAXIMUM ENGINE SPEED AT 0 MPH, 2000 RPM	0	0
S	X4BA1X	COOLANT WARM HOLD TEMP (KBS)	COOLANT WARM HOLD TEMP ENABLED	0	0
S	R4BA1X	PRE-TRIP DIAGNOSTIC INSPECTION (JZU)	PRE-TRIP DIAGNOSTICS INSPECTION	0	0
S	K5XA2X	ENGINE PROTECTION SYSTEM (P1FQT)	ENGINE PROTECTION (SHUTDOWN)	0	0
S	EXXGQX	PTO MAXIMUM ENGINE SET SPEED (AND)	PTO ENGINE MAXIMUM 650 RPM	0	0
S	EYXGQX	PTO RESUME ENGINE SET SPEED (ANE)	PTO ENGINE RESUME 650 RPM	0	0

				WEIGHT (LB)	
FRONT AXLE		DESCRIPTION		FRONT	REAR
	370403	FRONT AXLE PACKAGE	VOLVO VF14 14,600 LB FRONT SPRINGS	20	0
S	YNXB1X	FRONT STABILIZER	FRONT STABILIZER	86	0
S	70BB1X	BRAKE REGULATION	BRAKE REGULATION, STOPPING DISTANCE 310 FT (94M)	0	0
	782014	FRONT BRAKE & HUB PACKAGE	FRONT BRAKE BENDIX SPICER, NEXT GENERATION HEAVY DUTY, STANDARD LUBE	42	0
S	U5XA1X	FRONT BRAKE DIMENSION	16.5X5 FRONT BRAKE SIZE	0	0
S	U3XA1X	BRAKE TYPE, FRONT AXLE	CAST IRON FRONT BRAKE DRUM OUTBOARD MOUNTED	0	0
	LQXAQX	FRONT BRAKE LINING MATERIAL	BRAKE LINING MATERIAL FRONT, BENDIX SPICER ES420	0	0
S	K2EA1X	BRAKE SHOE COATING FRONT	BRAKE SHOE COATING FRONT, BASIC	0	0
S	0KX11X	HUBS, FRONT AXLE	ALUMINIUM PRESET PLUS FRONT AXLE HUBS WITH SKF HUBCAPS	0	0
	162002	FRONT AXLE LUBRICANT	SYNTHETIC OIL, SHELL 75W90 FRONT AXLE LUBRICANT	0	0
S	XAXBFX	POWER STEERING GEAR	TRW THP60 INTEGRAL POWER STEERING GEAR	0	0
S	XEXZ1X	POWER STEERING ASSIST	NO POWER STEERING ASSIST PROVIDED	14	0
S	M0XA1X	STEERING SHAFT TYPE	BASIC STEERING SHAFT	0	0
S	371001	FRONT SUSPENSION PACKAGE	59" PARABOLIC LEAF FRONT SUSPENSION MATCHED TO FRONT AXLE CAPACITY	25	0
S	IRXA1X	FRONT SUSP MAINTENANCE	LUBRICATED SPRING PINS AND BUSHINGS	0	0

TECHNICAL SPECIFICATION *(cont.)*

				WEIGHT (LB)	
REAR AXLE		DESCRIPTION		FRONT	REAR
	330684	REAR AXLE PACKAGE	MERITOR MT-40-14X4D HYPOID (HEAVY DUTY HOUSING) 40,000 LB CAPACITY	0	31
	TAXLKX	REAR AXLE RATIO	5.29 REAR AXLE RATIO	0	0
S	TUXB1X	DIFFERENTIAL LOCK	INTERAXLE DIFFERENTIAL LOCK	0	0
	350377	REAR SUSPENSION PACKAGE	40,000 LB VOLVO T-RIDE (2-LEAF FIRM RIDE) 54" SPACING	0	386
S	YVXA1X	REAR SHOCK ABSORBER	SHOCK ABSORBERS, DRIVE AXLES	0	102
	783022	REAR BRAKE & HUB PACKAGE	REAR BRAKE BENDIX SPICER, NEXT GENERATION HEAVY DUTY, STANDARD LUBE	0	0
S	U8XA1X	DRIVE AXLE BRAKE DIMENSION	16.5X7 REAR BRAKE SIZE	0	0
S	U4XA1X	BRAKE TYPE, DRIVE AXLE	CAST IRON DRIVE AXLE BRAKE DRUM OUTBOARD MOUNTED	0	0
	MAXF1X	DRIVE AXLE BRAKE LINING MATERIAL	BRAKE LINING MATERIAL DRIVE, BENDIX SPICER ES-600	0	0
S	J8EA1X	BRAKE SHOE COATING DRIVE	BRAKE SHOE COATING DRIVE, BASIC	0	0
S	0LXI5X	HUBS, DRIVE AXLE	IRON PRESET PLUS DRIVE AXLE HUB WITH INTEGRATED SPINDLE NUT	0	0
S	163002	DRIVE AXLE LUBRICANT	SYNTHETIC OIL, SHELL 75W90 DRIVE AXLE LUBRICANT	0	0
S	781116	PARKING BRAKE CHAMBER PACKAGE	FOUR CAM TYPE HALDEX GOLD SEAL PLUS	0	14
S	V1AB1X	REAR BRAKE CHAMBER SIZE	REAR BRAKE CHAMBER 30 / 30 SQ INCHES (SERVICE / EMERGENCY)	0	0
S	UKXA1X	CHAMBER STROKE LENGTH, DRIVE AXLE	BASIC LENGTH BRAKE CHAMBER STROKE	0	0
S	784009	BRAKE ADJUSTERS	HALDEX BRAKE ADJUSTER FRONT AND REAR	0	0
	O5BD1X	FRONT BRAKE CHAMBER SIZE	FRONT BRAKE CHAMBER 24 SQUARE INCHES (SERVICE)	0	0

				WEIGHT (LB)	
CHASSIS		DESCRIPTION		FRONT	REAR
S	3XBHAX	DRIVER SIDE FRONT CHASSIS CONFIGURATION	LEFT HAND BATTERY BOX - 4 CAPACITY, DEF TANK MOUNTED BEHIND BATTERY BOX (VNL / VNR)	0	0
	3YBAGX	PASSENGER SIDE FRONT CHASSIS CONFIGURATION	INTEGRATED DPF & SCR WITH B-PILLAR EXHAUST (VNR / VNL)	0	0
	400173	WHEELBASE	173" WHEELBASE	325	322
	402063	OVERHANG	63" OVERHANG	0	236
S	KBXB1X	FUEL TANK SHAPE, LIQUID	26" DIA CYLINDRICAL FUEL TANK	0	0
S	J8XB1X	LIQUID FUEL TANK, LEFTHAND SIDE	75 GALLON LEFT HAND FUEL TANK	0	0
S	KEXA1X	FUEL TANK MATERIAL, LIQUID	ALUMINUM FUEL TANK MATERIAL	0	0
S	HBXB1X	FUEL TANK POSITION - DIESEL	FUEL TANK POSITION 1	0	0
S	427998	HYDRAULIC OIL TANK PACKAGE	NO HYDRAULIC OIL TANK PROVIDED	0	0
S	8NAA1X	DPF COVER	DPF COVER, PAINTED STEEL	0	0
S	U6BA1X	DEF TANK COVER	PAINTED DIESEL EXHAUST FLUID TANK COVER	0	0
S	JHXA1X	FUEL LINES	NYLON FUEL LINES	0	0
S	KHXA1X	FUEL TANK STRAPS	PAINTED STEEL FUEL TANK STRAPS	0	0
S	KFXA1X	FUEL TANK CAP	NON-LOCKING FUEL TANK CAP	0	0
S	8HAA1X	AIR TANK ARRANGEMENT	AIR TANK ARRANGEMENT, BASIC	0	0
S	U2XB1X	AIR TANKS	STEEL AIR TANK	0	0
S	VHXE5X	AIR DRYER	WABCO AIR DRYER SS - HP WITHOUT TURBO CUT OFF VALVE WITH COALESCING FILTER	0	0
S	UWXD1X	AIR TANK DRAIN VALVE	MANUAL DRAIN VALVES, LANYARD ON WET TANK	0	0
	403006	FRAME RAIL PACKAGE	11.81"X3.54"X.38" STRAIGHT STEEL RAILS	0	0
S	8EXB1X	INTERMEDIATE CROSSMEMBER MATERIAL	STEEL CROSSMEMBER MATERIAL	0	0
S	X8XB1X	FORWARD REAR SUSP CROSSMEMBER MATERIAL	STEEL CROSSMEMBER MATERIAL	0	0

PRICELIST DATE

20240325

QUOTATION

WACO20240000375482D

DATE

7/8/2024

PAGE

5 of 10

TECHNICAL SPECIFICATION *(cont.)*

				WEIGHT (LB)	
CHASSIS		DESCRIPTION		FRONT	REAR
S	ZIXA1X	CROSSMEMBER, BOGIE, MATERIAL	STEEL CROSSMEMBER MATERIAL	0	0
S	X6XA1X	REAR FRAME TREATMENT	STRAIGHT CUT-OFF REAR CROSSMEMBER	0	38
S	4DXA3X	FRONT BUMPER	STEEL AERO BUMPER W/END CAPS & AIR DAM	0	0
S	65XB1X	FRONT FENDER EXTENSION	NO FRONT FENDER EXTENSION PROVIDED	0	0
S	4EXB1X	FRONT TOWING DEVICE	TWO FRONT TOWING DEVICES	0	0
S	Q8CH1X	CHASSIS WIRING HARNESS CASING	HEAVY DUTY MAIN CHASSIS WIRING HARNESS COVERING	0	0
S	U7CFLX	LH FUEL TANK FACE LOCATION	LH FUEL TANK FRONT FACE @ XM=4957	0	0

				WEIGHT (LB)	
TRANSPORT ADAPTATION		DESCRIPTION		FRONT	REAR
	WHXC1X	TRAILER BRAKE CONNECTION POSITION	TRAILER CONNECTIONS MTD END OF FRAME	7	12
	WGXBKX	TRAILER BRAKE VALVE	TWO TRAILER BRAKE VALVES	0	0
S	LOXB1X	ELECTRICAL CONNECTIONS BACK OF CAB	BODY BUILDER CONNECTIONS BACK OF CAB	3	0
	L2XA1X	ELECTRICAL RECEPTACLE END OF FRAME	ELECTRICAL RECEPTACLE END OF FRAME	0	5
	WLXA1X	TRAILER BRAKE HAND CONTROL	FULL PRESSURE TRAILER BRAKE HAND CONTROL	3	0
	L3XC1X	BODY BUILDER ELECTRICAL PREP	ELECTRICAL COMPLETE KIT FOR BODY BUILDER AND/OR I-SHIFT PTO'S	5	0

				WEIGHT (LB)	
CALCULATED CODES - KAX		DESCRIPTION		FRONT	REAR
S	9JXA1X	PROPCALC SELECTION	YES, THE ORDER MUST BE CALCULATED	0	0

				WEIGHT (LB)	
CAB EXTERIOR		DESCRIPTION		FRONT	REAR
S	2DX05X	CAB SUSPENSION	MECHANICAL CAB SUSPENSION WITH SHOCKS	0	0
S	21XA1X	AUXILIARY REAR WINDOW	STANDARD REAR WINDOW	0	0
S	D2XA1X	WIPER BLADES	WIPER BLADES, BASIC	0	0
S	28XD1X	FRONT GRILLE	BLACK GRILLE	0	0
S	0EAC1X	AIR INTAKE GRILLE, FINISH	AIR INTAKE GRILLE, BLACK	0	0
S	3FX49X	EXTERIOR SIDE VIEW MIRRORS	BLACK AERODYNAMIC MIRRORS	0	0
S	3GXC1X	EXTERIOR MIRROR FEATURES	HEATED, POWER AXIS MIRROR, BOTH SIDES	3	0
S	LZXD1X	AIR HORN	DUAL TRUMPET MOUNTED UNDER CAB	0	0
S	4NXB1X	EXTERIOR SUNVISOR	EXTERIOR SUN VISOR WITH CLEAR LENS LED MARKER LAMPS	0	0
S	T3CA1X	EXTERIOR BRAND BADGING (CA)	EXTERIOR BADGES & EMBLEMS	0	0

				WEIGHT (LB)	
CAB INTERIOR		DESCRIPTION		FRONT	REAR
S	540088	INTERIOR TRIM LEVEL	FLEET - VINYL PANELS WITH METAL HEX TRIM	0	0
	1DAF2X	SEAT MFG. AND SERIES, DRIVER	SEARS DRIVER SEAT	0	0
S	15DA1X	SEAT PROFILE, DRIVER	STANDARD WIDTH DRIVER SEAT	0	0
	520104	DRIVER SEAT	X4 RAVEN MORDURA CLOTH	0	0
S	3ZXG2X	DRIVER SEAT SUPPORT	DRIVER SEAT - AIR SUSPENDED	0	0

TECHNICAL SPECIFICATION *(cont.)*

				WEIGHT (LB)	
CAB INTERIOR		DESCRIPTION		FRONT	REAR
S	17DA1X	SEAT COMFORT, DRIVER	DRIVER SEAT - ONE AIR ADJUSTABLE LUMBAR CHAMBER	0	0
	1GAF2X	SEAT MFG. & SERIES, PASSENGER	SEARS PASSENGER SEAT	0	0
	16DA1X	SEAT PROFILE, PASSENGER	STANDARD WIDTH PASSENGER SEAT	0	0
	521104	PASSENGER SEAT	X4 RAVEN MORDURA CLOTH	49	0
	34XK1X	PASSENGER SEAT SUPPORT	PASSENGER SEAT - AIR SUSPENDED	0	0
	18DA1X	SEAT COMFORT, PASSENGER	PASSENGER SEAT - ONE AIR ADJUSTABLE LUMBAR CHAMBER	18	0
	3PX1X	SEAT ARMREST	INBOARD DRIVER SEAT ARMREST	3	0
	0HAB1X	SEAT SUPPORT, DUST COVER	SEAT BASE DUST COVER, BOTH SIDES	0	0
S	K7AA1X	SAFETY BELT LENGTH	STANDARD SAFETY BELT LENGTH	0	0
S	OUX1X	SAFETY BELT DRIVER SEAT	SAFETY BELT DRIVER SEAT, BLACK	0	0
	OXX1X	SAFETY BELT PASSENGER SEAT	SAFETY BELT PASSENGER SEAT, BLACK	0	0
S	4AXB1X	CLIMATE UNIT	INTEGRAL AIR CONDITIONER WITH HEATER - MANUAL CONTROLS	0	0
S	31XK2X	FLOOR MATS	FRONT FLOOR INSERTS, RUBBER	0	0
S	4JXD1X	STORAGE OVERHEAD DRIVER	NETTED OVERHEAD STORAGE (DRIVER / PASSENGER SIDES) WITH CB MOUNTING AND AUXILIARY SWITCHES	0	0
S	XRXB1X	STEERING WHEEL ADJUSTMENT	STANDARD STEERING WHEEL ADJUSTMENT	0	0
S	7BAA3X	STEERING WHEEL MATERIAL	STANDARD STEERING WHEEL COVERING	0	0
S	571020	GAUGE PACKAGE	EIGHT GAUGE INSTRUMENT CLUSTER	0	0
	PGXA1X	TRANSMISSION TEMPERATURE GAUGE	TRANSMISSION TEMPERATURE GAUGE	0	0
S	PVXA2X	AIR RESTRICTION INDICATOR	GRADUATED ARI ON FILTER	0	0
S	N8XD1X	SPEEDOMETER GRADUATION	MPH SPEEDOMETER GRADUATION	0	0

				WEIGHT (LB)	
LIGHTING		DESCRIPTION		FRONT	REAR
	NGXB1X	FOG LAMPS	TWO FOG LAMPS - WHITE	7	-2
	P8XB9X	HEADLAMPS	LED HEADLAMPS WITH SIGNATURE DRL	0	0
S	LSXG1X	DAYTIME RUNNING LAMPS (DRL)	EQUIPPED WITH DAYTIME RUNNING LIGHTS	0	0
S	NEXC1X	STOP AND TAIL LIGHTS	DUAL WITH INTEGRAL BACKUP LIGHTS	0	0
S	NPXB1X	TURN SIGNAL SWITCH	SELF CANCELLING TURN SIGNAL	0	0

				WEIGHT (LB)	
AUDIO SYSTEM		DESCRIPTION		FRONT	REAR
S	590031	AUDIO PACKAGE	AM / FM / MP3 / USB / BLUETOOTH RADIO	0	0
S	73AJ1X	RADIO ANTENNA	SINGLE RIGHT HAND 48 INCH MIRROR MOUNTED RADIO ANTENNA	3	0
S	LYXF1X	STEERING WHEEL CONTROLS	WITH STEERING WHEEL SWITCHES	3	0
S	N0XA1X	MARKER INTERRUPTER SWITCH	MARKER INTERRUPTER SWITCH	0	0
S	5CXA1X	RADIO SPEAKERS	SPEAKERS IN DASH ONLY	0	0
S	5JXB1X	CB RADIO MOUNTING	OVERHEAD MOUNTED CB HOLD DOWN	0	0
S	5BXB5X	CB ANTENNA	SINGLE LEFT HAND 48 INCH MIRROR MOUNTED CB ANTENNA	0	0

TECHNICAL SPECIFICATION *(cont.)*

				WEIGHT (LB)	
MISC CAB EQUIPMENT		DESCRIPTION		FRONT	REAR
S	2XX35X	WINDOW LIFT	POWER WINDOW LIFT BOTH DOORS	7	5
S	3AXB1X	DOOR LOCKS CAB	MANUAL CAB DOOR LOCKS	0	0
S	20XA1X	KEY TYPE	BASIC UNIQUE KEY	0	0
S	8BXB1X	KEY QUANTITY PER UNIT	4 KEYS PROVIDED PER UNIT	0	0
S	EAXA1X	AUXILIARY SWITCH	ONE (1) AUXILIARY SWITCH WITH WIRING, 15 AMP	0	0

				WEIGHT (LB)	
TIRES AND WHEELS		DESCRIPTION		FRONT	REAR
	0930D8	TIRE PACKAGE FRONT	11R22.5H BRIDGESTONE R213 ECOPIA (13220 LBS. GAWR) LONG / REGIONAL HAUL (Total for QTY = 2)	234	0
	0940J3	TIRE PACKAGE DRIVE	11R22.5G BRIDGESTONE M726 EL A (23360 LBS. GAWR) LONG / REGIONAL HAUL (Total for QTY = 8)	0	1,059
	084320	WHEEL PACKAGE FRONT	22.5X8.25 ACCURIDE STEEL POWDER COAT GRAY 5 HAND HOLE (Total for QTY = 2)	137	0
	085094	WHEEL PACKAGE DRIVE	22.5X8.25 MAXION STEEL POWDER COAT GRAY 5 HAND HOLE (Total for QTY = 8)	0	547
	4WCA1X	TIRE CLASSIFICATION FRONT (CA)	GHG FRONT TIRE CLASSIFICATION, ADVANCED LOW ROLLING RESISTANCE	0	0
	4XCG1X	TIRE CLASSIFICATION REAR (CA)	GHG REAR TIRE CLASSIFICATION, OTHER (NON-SPECIFIED)	0	0
S	907002	FRONT WHEEL AND TIRE QUANTITY	TWO WHEELS AND TIRES FRONT	0	0
S	908008	DRIVE WHEEL AND TIRE QUANTITY	EIGHT WHEELS AND TIRES DRIVE	0	0
S	15XABX	TIRE INFLATION VALVE	TIRE INFLATION VALVE, STANDARD	0	0

				WEIGHT (LB)	
PAINT		DESCRIPTION		FRONT	REAR
S	950800	CAB PAINT SCHEME	1 COLOR	0	0
S	9801T4	FIRST TRUCK COLOR	GLACIER WHITE; P3029	0	0
S	959998	NEW PAINT DEVELOPMENT FEE	NO NEW PAINT DEVELOPMENT FEE	0	0
	BG2012	PAINT BUG CODE	BUG CODE EY	0	0
S	MPB980	CAB COLOR	CAB SAME AS FIRST COLOR	0	0
S	MPD980	HOOD COLOR	HOOD SAME AS FIRST COLOR	0	0
S	MPE980	COWL COLOR	COWL SAME AS FIRST COLOR	0	0
S	987980	BUMPER COLOR	BUMPER SAME AS FIRST COLOR	0	0
S	994998	ROOF FAIRING COLOR	NO ROOF FAIRING COLOR PROVIDED	0	0
S	996980	SUN VISOR COLOR	SUN VISOR SAME AS FIRST COLOR	0	0
S	9861U1	CHASSIS COLOR	BLACK; P3036	0	0
S	988401	DISC WHEEL OR RIM COLOR	STEEL DISC WHEELS - PREPAINTED WHITE, POWDER - COAT, ALUMINUM OR STYLIZED DISC - UNPAINTED	0	0

				WEIGHT (LB)	
BUSINESS SERVICES		DESCRIPTION		FRONT	REAR
S	9LAA1X	PRE-DELIVERY INSPECT LOCATION	PRE-DELIVERY INSPECTION, OUTSIDE FACTORY	0	0
S	635998	XDIN MODIFICATION	NO XDIN MODIFICATION CODE	0	0

TECHNICAL SPECIFICATION *(cont.)*

				WEIGHT (LB)	
OUTSIDE MODIFICATION PLANNING			DESCRIPTION	FRONT	REAR
S	612998	OUTSIDE MODIFICATION CNG TANK INSTALLATION PLANNING CODE	NO FONTAINE CNG TANK INSTALLATION PLANNING CODE	0	0
S	615998	OUTSIDE MODIFICATION IN-SERVICE PLANNING CODE	NO FONTAINE IN-SERVICE PLANNING CODE	0	0
S	617998	OUTSIDE MODIFICATION BODY INSTALL CODE	NO FONTAINE BODY INSTALL	0	0
S	618998	OUTSIDE MODIFICATION AUXILIARY AXLE INSTALL CODE	NO FONTAINE AUXILIARY INSTALL	0	0
S	609998	OUTSIDE MODIFICATION LEAD TIME CODE	NO FONTAINE LEAD TIME	0	0
S	630998	BOLT MODIFICATION	NO BOLT MODIFICATION CODE	0	0

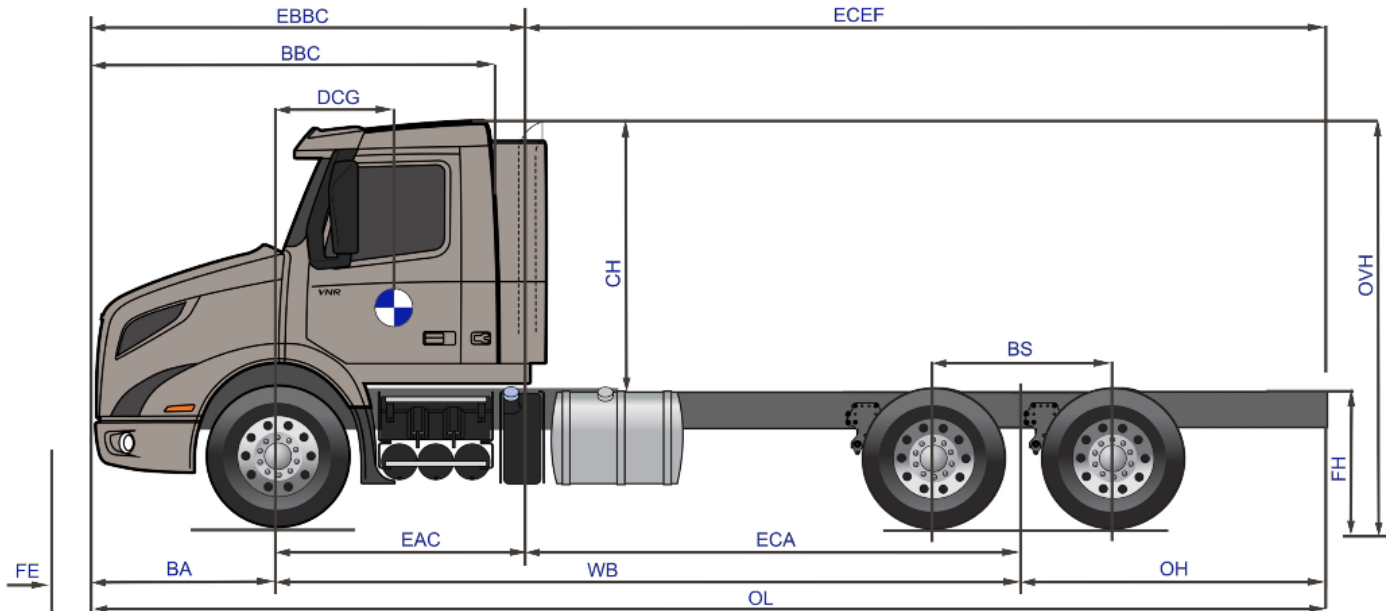
				WEIGHT (LB)	
BASE WARRANTY AND PURCHASED COVERAGES			DESCRIPTION	FRONT	REAR
S	899301	WARRANTY TYPE	NORMAL_DUTY_STANDARD_BASE_COVERAGE 12_MONTHS / 100,000_MILES	0	0
S	896900	VOLVO D11/D13 ENGINE EXTENDED COVERAGE	VOLVO D11/D13 BASE ENGINE COVERAGE - 24MTHS/250K MILES	0	0
	M8309T	EMISSION - SURCHARGE	EPA (ONLY) FOR VOLVO 11L / 13L DIESEL	0	0
S	M99998	CUSTOM/BUNDLED COVERAGE OPTIONS	NO CUSTOM/BUNDLED PURCHASE COVERAGE OPTIONS PROVIDED	0	0
S	875001	VEHICLE EMISSIONS COMPONENTS COVERAGE	US & CANADA VOLVO ENGINE EQUIPPED VEHICLE EMISSIONS COMPONENTS COVERAGE_60 MONTHS/100K_MILES	0	0
S	685998	CLUTCH COVERAGE	NO CLUTCH COVERAGE PROVIDED	0	0
S	888900	ADDITIONAL EXTENDED CHASSIS TOWING COVERAGE	BASE CHASSIS TOWING COVERAGE, 90 DAY/5000 MILE/8050 KILOMETER	0	0
S	874900	ADDITIONAL EXTENDED ENGINE TOWING COVERAGE	BASE VOLVO ENGINE TOWING COVERAGE, 24 MO/250K MILE	0	0

				WEIGHT (LB)	
CONNECTED SERVICES			DESCRIPTION	FRONT	REAR
S	S03001	VOLVO UPTIME CARE	VOLVO UPTIME CARE - 24 MONTHS	0	0
S	S04001	VOLVO CONNECT LOCATION & REPORTING	VOLVO CONNECT LOCATION & REPORTING - 24 MONTHS	0	0
S	S05998	FLEET INTEGRATION	WITHOUT FLEET INTEGRATION	0	0

FRONT / REAR AXLE WEIGHTS (LB)	8958	7086
TOTAL WEIGHT (LB)	16044	

VEHICLE SPECIFICATION/CALCULATED PERFORMANCE SUMMARY

Description	Sales Code	Dwg Ref	Length	UOM
Front Frame Extension	N/A	FE	0.0	INCHES
Bumper to Front Axle	N/A	BA	51.1	INCHES
Eff. Bumper to Front Axle	N/A	N/A	51.1	INCHES
Wheelbase	N/A	WB	172.7	INCHES
Rear Overhang	N/A	OH	63.4	INCHES
Overall Length	N/A	OL	287.1	INCHES
Bumper to Back of Cab	N/A	BBC	113.5	INCHES
Eff. Bumper to Back of Cab	N/A	EBBC	113.5	INCHES
Eff. Cab to Rear Axle	N/A	ECA	110.3	INCHES
Eff. Front Axle to Back of Cab	N/A	EAC	62.4	INCHES
Eff. Cab to End of Frame	N/A	ECEF	173.6	INCHES
Unladen Frame Height	N/A	FH	42.7	INCHES
Cab Height	N/A	CH	75.0	INCHES
Overall Height	N/A	OVH	120.1	INCHES
Driver CG	N/A	DCG	42.0	INCHES
54" BOGIE SPREAD (1370MM)	GWXDGX	BS	54.0	INCHES





Volvo Trucks

www.volvotrucks.us | www.volvotrucks.ca



Quote WTTLLC00015745 Page 1 of 4 Date 7/5/2024

Warren Truck and Trailer, LLC
 15768 US HIGHWAY 271 NORTH
 Talco TX 75487

Phone (888) 734-4400
 Fax (903) 379-4400
 WarrenTruckAndTrailer.com

Bill To	Ship To	Contact
VOLVO & MACK TRUCKS OF WACO P.O. BOX 609 HEWITT TX 76643	VOLVO & MACK TRUCKS OF WACO 1287 SUN VALLEY ROAD ROBINSON TX 76706	JUSTIN CLARK (254) 662-0911 Ext. 0000

Purchase Order No.	Customer ID	Salesperson ID	Shipping Method	Payment Terms	Req Ship Date	Master No.
	VOL706	CHRIS	DELIVERED	NET30	0/0/0000	10,024,303
QTY	Item Number	Description	UOM	Unit Price	Ext. Price	
1	WXL-14	DUMP BODY - CROSSMEMBERLESS - 14' Q-15745 WICQ-013342 CITY OF KELLER 14' BODY - ALLISON 3000 RDS Yardage: 12/14 Floor Material: 1/4 AR450 Front / Material: 48" 1/4 AR450 Side / Material: 42" 1/4 AR450 Vertical Side Brace: Yes Horizontal Brace: No Hoist / Cylinder: VTLW-63110 Hyd Tank: 30 Gal Side Mount Tank SMR30 Hydraulics: 85 CC Gear Pump w DIN Shaft Tipping Valve: Chassis Mount	EA	\$39,675.00	\$39,675.00	
1	TAILGATE	Air Operated: Yes Panel: 3 Vertical Material: 1/4 AR450 Height: 48 Slope: None Chains: 5/16" Double Acting: Yes Material Gate: CS, Center, DS (3 COAL DOORS) Water Tight: No	Each	\$0.00	\$0.00	
1	DB OPTIONS # 1	Cabshield: Variable Width-1/2 (24") Asphalt Apron: 8" Push Type Bolt On: No Center Board Pockets: Yes	Each	\$0.00	\$0.00	
1	LIGHTS	Lights/Harness: LED Lights and Standard Harness Oval STT: (2) Grommet Mount STT w/ Backup Per Post 6" OVAL LED S/T/T: 1 PER POST TOP 6" OVAL LED BACK UP LIGHT PER POST BOTTOM	Each	\$0.00	\$0.00	
1	SAFETY LIGHTING		Each	\$0.00	\$0.00	



Quote WTTLLC00015745 Page 2 of 4 Date 7/5/2024

Warren Truck and Trailer, LLC
 15768 US HIGHWAY 271 NORTH
 Talco TX 75487

Phone (888) 734-4400
 Fax (903) 379-4400
 WarrenTruckAndTrailer.com

Purchase Order No.	Customer ID	Salesperson ID	Shipping Method	Payment Terms	Req Ship Date	Master No.
	VOL706	CHRIS	DELIVERED	NET30	0/0/0000	10,024,303
QTY	Item Number	Description	UOM	Unit Price	Ext. Price	
1	POWER AND BEYOND	WHELEN VERTEX SIDE EMITTER AMBER LIGHTS MOUNTED L & R OF GRILL - VTX3609A (2) - USE VETEX MOUNTING FLANGE - VTXFB (2) - WHELEN ION SURFACE MOUNT AMBER/BLUE CORNER STROBES MOUNTED ON SIDES OF HOOD/FENDERS - IONSMM (2) WHELEN ION SURFACE MOUNT AMBER/BLUE CORNER STROBES MOUNTED ON REAR SIDE POST ABOVE RUB RAIL 1/2 WAY UP BODY L & R SIDES - IONSMM (2) WHELEN ION SURFACE MOUNT AMBER/BLUE STROBES MOUNTED ON REAR CORNER POST 1/2 WAY UP BODY - IONSMM (2) SEE PHOTOS OF LIGHTS AND LOCATIONS.	Each	\$0.00	\$0.00	
1	INSTALL	POWER AND BEYOND WITH SPREADER CONTROLS MOUNTED IN CAB. INCLJDED 30 GAL SIDE MOUNT TANK, FILTER HEAD ASSEMBLY, SHUT OFF VALVE ON SUCTION LINE PLUMB HYD QUICK CONNECTS THROUGH PINTLE PLATE ABOVE HITCH. SEE PICS - SPINNER, AUGER, RETURN	Each	\$0.00	\$0.00	
1	PAINT	Hydraulic Hoses/Fittings: Yes Pump: 85 CC Gear Pump w DIN Shaft HYVA Tipper Vavle Chassi Mount Console: Clutch Shift Air - USE PTO SWITCH IF PROVIDED Conspicuity Tape: YES- ON RUB RAILS & TAILGATE PANELS ABOVE COAL DOORS NEAR THE TOP OF THE TAILGATE Mudflaps and Brackets: Yes Chrome Turnouts: No Splash/Gravel Guards: No Side Boards: Metal -2x6 - STRUCTURAL CHANNEL Delivery Fuel/Charges: Yes MOUNT BODY AS FAR FORWARD AS POSSIBLE - MINIMIZE REAR OVERHANG.	Each	\$0.00	\$0.00	
1	PTO	Color: Warren Black (800-80007) POWER TAKE OFF	EA	\$0.00	\$0.00	



Quote WTTLLC00015745 Page 3 of 4 Date 7/5/2024

Warren Truck and Trailer, LLC
 15768 US HIGHWAY 271 NORTH
 Talco TX 75487

Phone (888) 734-4400
 Fax (903) 379-4400
 WarrenTruckAndTrailer.com

Purchase Order No.	Customer ID	Salesperson ID	Shipping Method	Payment Terms	Req Ship Date	Master No.
	VOL706	CHRIS	DELIVERED	NET30	0/0/0000	10,024,303
QTY	Item Number	Description	UOM	Unit Price	Ext. Price	
		PTO Muncie A20 Series (Auto) ALLISON AUTOMATIC Note: Not following OEM maintenance can result in non warrantable failure. Check for leaks and loose mounting hardware within first week of use. Recheck at regular maintenance periods (see OEM manual for intervals).				
1	TARP SYSTEM	TARP system - installed Installation: Installed Brand: Donovan Manual / Electric: Electric Type: Arm Aluminum / Steel: Aluminum Bent Arm: Yes Tarp Size: 90"x18' Tarp Type: Mesh Side Flaps: No	EA	\$0.00	\$0.00	
1	BRAKE CONTROLLER	BUYERS 12V ELECTRIC BRAKE CONTROLLER. BC2A - WIRED TO 7 WAY RV PLUG.	Each	\$0.00	\$0.00	
1	TOW PACKAGE	Pintle Plate: 1" Pintle Hitch: 50 Ton Glad Hands: Yes D Rings: Yes Tow Hooks: No Electric Plug: 7 Way RV PLUG - ON BRACKET LEFT OF PLATE 1 POLE POWER PLUG ON BRACKET RIGHT OF PLATE Pup Rigging: Yes STT & REVERSE LEFT & RIGHT OF PLATE WIRE BRAKE CONTROLLER TO 7 WAY RV PLUG. ADD SINGLE POLE CHARGING PLUG WITH CURCUIT BREAKER TO RIGHT SIDE OF TOW PACKAGE. - SEE PHOTOS	Each	\$0.00	\$0.00	
1	BODY VIBRATOR	BIG BERTHA DC-3500 12V BODY VIBRATOR INSTALLED	Each	\$0.00	\$0.00	
1	DELIVERY	DELIVERY OF COMPETED UNIT TO VOLVO AND MACK OF WACO	Each	\$0.00	\$0.00	



Quote WTTLLC00015745

Page 4 of 4
Date 7/5/2024

Warren Truck and Trailer, LLC
15768 US HIGHWAY 271 NORTH
Talco TX 75487

Phone (888) 734-4400
Fax (903) 379-4400
WarrenTruckAndTrailer.com

Purchase Order No.	Customer ID	Salesperson ID	Shipping Method	Payment Terms	Req Ship Date	Master No.
	VOL706	CHRIS	DELIVERED	NET30	0/0/0000	10,024,303
QTY	Item Number	Description	UOM	Unit Price	Ext. Price	
		OF WACO SHOWN IN SHIPPING COLUMN BELOW.				

Quotation reviewed and accepted by:
(signed) _____
Please fax back to us for entry as an order
NOTE: Quotation good for 10 days only

Subtotal	\$39,675.00
Misc	\$0.00
Tax	\$0.00
Ship & Handling	\$750.00
Trade In Allowance	\$0.00
Total	\$40,425.00